

AGRO multi-cable entries



Elektrozubehör

Cable management from E to Z

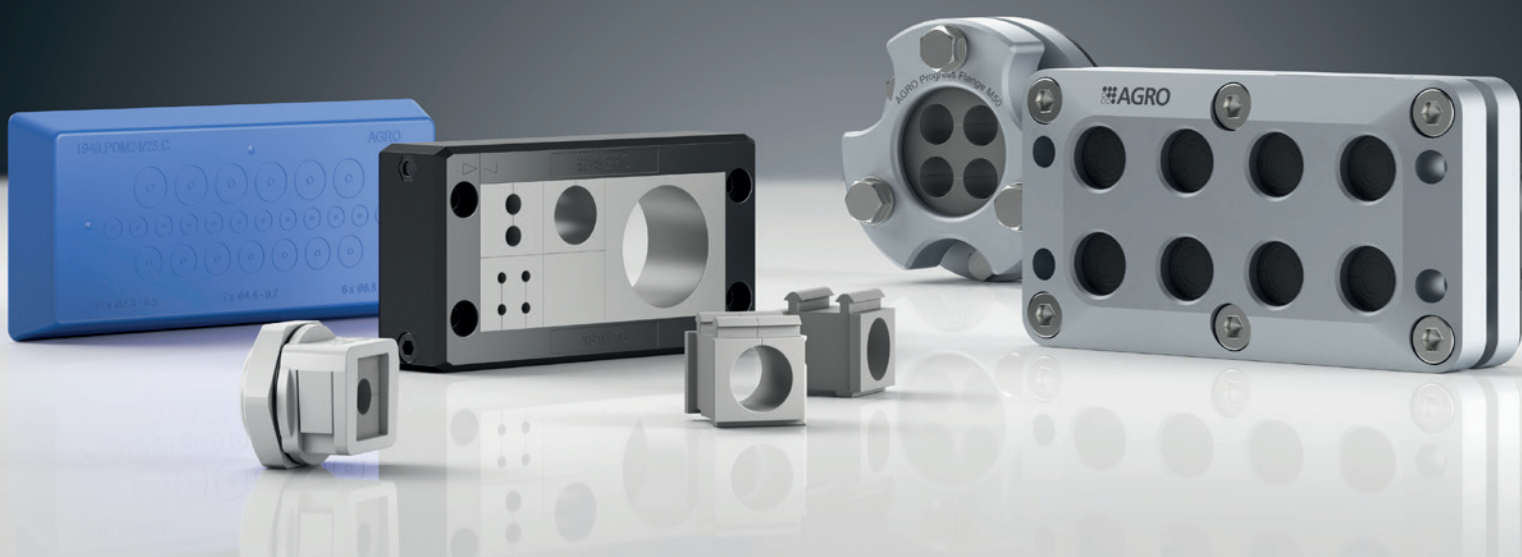
**Distributore per l'Italia
della ditta AGRO
da più di 65 anni.**

ELEKTROZUBEHÖR SPA
Via F.lli Bronzetti, 24 - 20129 Milano (Italy)
C.F. e P. IVA: 00729140152
Tel.: +39 02 701471 - info@elektrozubehor.it
www.elektrozubehor.it



Innovative cable feedthrough solutions

2025/2026



Elektrozubehör
Cable management from E to Z

ELEKTROZUBEHÖR SPA

Tel.: +39 02 701471
info@elektrozubehor.it
www.elektrozubehor.it



ACCEDI AL
MONDO EZ

AGRO
Member of KAISER GROUP



KAISER GROUP

 **AGRO**

 **ATTEMA**

 **HELIA**

 **KAISER**



Ulrich Kaiser

Burkard Kaiser

The KAISER GROUP, a family-run company in its third generation, has always placed emphasis on progress and tradition. As a leading innovator in the field of electrical installation products and cable entries, our goal is to always be a step ahead in our industry, supporting our customers with our practical ideas and solutions. In this regard, our qualified, experienced employees ensure the high quality you can expect from the KAISER GROUP. Our trades, retail and industry partners can trust our innovative strength to meet the market's needs – today and in the future. The same is also true for our customer-oriented service and fast delivery times – aspects that characterise a truly strong brand of electrical products.

KAISER



AGRO



ATTEMA



HELIA



 **KAISER**

Headquarters Schalksmühle, Germany
www.kaiser-elektro.de

 **ATTEMA**

Gorinchem, Netherlands
www.attema.com

 **AGRO**

Hunzenschwil, Switzerland
www.agro.ch

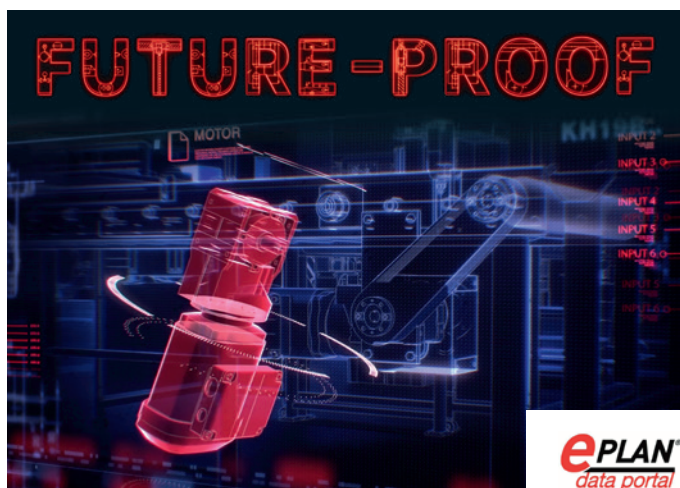
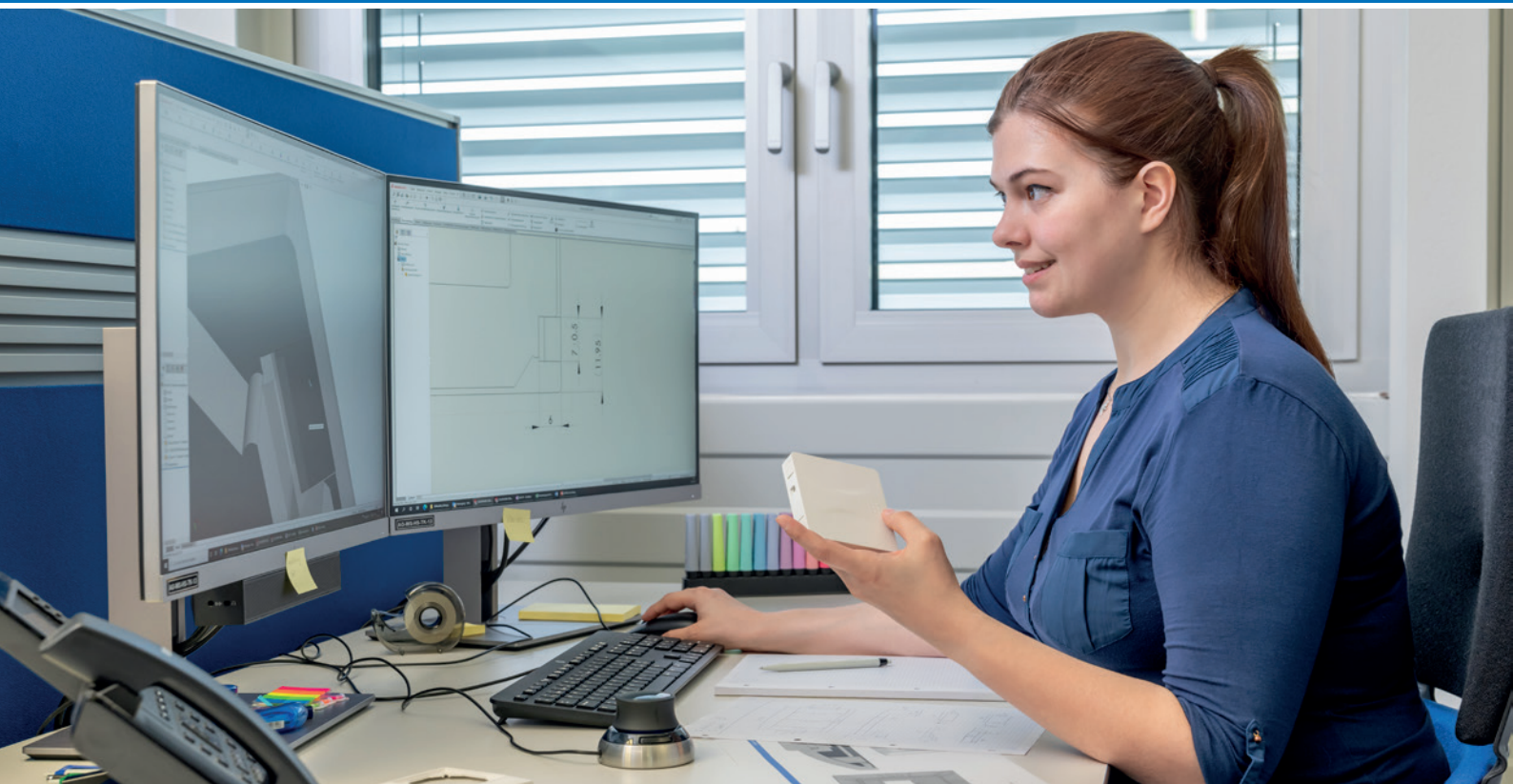
 **HELIA**

Erembodegem, Belgium
www.helia-elektro.be

Creating the future **together.**

Since 1953, AGRO has been developing and manufacturing high-quality cable entry and cable installation products and systems, at its Hunzenschwil headquarters in Switzerland, for the mechanical engineering industry, for plant and equipment construction and for professional electrical installation work in buildings of all kinds. AGRO has been part of the KAISER GROUP since 2002, enabling our customers to benefit from the resulting synergies – both nationally and internationally.

The KAISER, AGRO, HELIA and ATTEMA brands consistently offer you installation solutions which meet the needs of the market and thereby effectively support you in your daily work. Through their continuous future-oriented product innovations, these four strong brands keep you at the forefront of technology – today and tomorrow.



CAD data in all common formats

3D images can be viewed for almost all types of cable gland, and we offer you the special service of emailing you these in all common CAD formats.

You can access the 3D views and order the CAD data by selecting „BIM / CAD data“ in the navigation menu for the applicable product and size.



EPlan



BIM

Interesting updates on all channels.

In the AGRO newsletter and on our social media channels, we continuously provide you with the latest information about our company, our products, events and more.





MCE Pro multi-cable entries		8 - 9	1
MCE Pro EMC multi-cable entries		10 - 11	2
Progress® Flange M50 Dust protection discs		12 - 13	3
MCE Syntec® multi-cable entries Standard frame, IP 66, L-shaped, 191x series		14 - 35	4
MCE Syntec® multi-cable entries Accessories to 191x series		36 - 53	5
MCE Syntec® multi-cable entries CLICK frame, IP 54, U-shaped, 1920 series		54 - 55	6
MCE Syntec® multi-cable entries Accessories to 1920 series		56 - 61	7
MCE Syntec® multi-cable entries 1930-series frame, IP 54, for large cables or conduits		62 - 63	8
MCE Syntec® multi-cable entries Accessories to 1930 series		64	9
MCE Syntec® multi-cable entries Cable glands of various designs		65 - 81	10
MCE Syntec® multi-cable entries Membrane plates of various designs		82 - 97	11
MCE Syntec® multi-cable entries General accessories		98 - 102	12

AGRO MCE Pro and MCE Syntec®

For over 70 years, AGRO has been developing and manufacturing high-quality cable glands in accordance with EN 62444. This know-how can also be seen in the diverse designs of AGRO's MCE range of multi-cable entries for the feedthrough and strain relief of electrical, pneumatic and hydraulic lines. Wherever reliable connections are required for machines or equipment, our multi-cable entries find application.

They are widely used, for example, for the feedthrough of cables – with or without connectors – into conventional switchboards or electrical systems. But AGRO also offers robust and reliable solutions with protection ratings of up to IP 68 and IP 69K for very demanding applications, such as railway transport and the like, that involve water, dust, vibrations and high temperatures.

Whether multi-feedthroughs with metal or plastic frames, splittable cable glands or membrane plates, we have the right product for you – if required, tailored to your specification. Please contact our sales team to discuss your needs.

AGRO MCE Syntec® – the new AGRO multi-cable entries of plastic.

Our latest product line includes a wide range of components that simplify the implementation of cable feedthroughs – even for cables with pre-fitted connectors.

The benefits to you:

- Wide range of dimensionally standardised products
- Multi-section grommets and their compatibility with different frame types reduce inventory
- Extensive range of accessories such as dust protection covers, snap-in frames, sealing plugs, grommets with threaded inserts or integrated pressure balance elements, etc.

Technical advantages:

- Double membranes enhance the system's sealing performance
- UL 94 V-0 plastics improve fire resistance
- IK10 impact testing for robustness under extreme operating conditions
- Simple and time-saving installation

S. 8

AGRO MCE Pro and MCE Pro EMV 1908 series

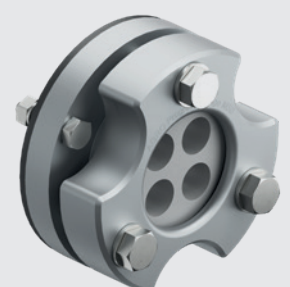
- Screwed-together aluminium frames
- Also available with EMC designs
- Very high sealing performance – up to IP68 / IP69K
- High pull-out forces according to EN 62444
- Anodised aluminium – extremely robust and adaptable to suit different needs



S. 12

AGRO Progress® Flange cable gland 1988 series

- Easy installation, screwed from the front
- Quick installation with ratchet or cordless screwdriver
- Absolute process reliability, with tightening „to the stop“
- Anodised aluminium – extremely robust and adaptable to suit different needs
- Customer-specific sealing elements





MCE Syntec® multi-cable entries 1910 series

- Screwed L-shaped plastic frames
- Special designs, e.g. with 90°-angle, with hygienic design or with multiple windows"
- Protection class: IP 66



MCE Syntec® multi-cable entries 1920 series

- Top-opening plastic frames with click-closed design
- Protection class: IP 54



MCE Syntec® multi-cable entries 1930 series

- Designed for large cables or corrugated conduits with Ø 36-65 mm
- Screwed L-shaped plastic frames
- Combination of 1 to 4 "windows"
- Protection class: IP 54



MCE Syntec® splittable cable glands 1917 and 1925 series

- Screwed or click-together assembly
- Protection class: IP 54 to IP 66
- Available with straight or angled housings
- Can be combined with grommets of the 1910 and 1920 series



MCE Syntec® cable feedthrough plates 1940 series

- For the feedthrough of cables without connectors
- With or without integrated reinforcement frame
- Protection class: IP 65 to IP 68
- Also available with a round design and with metric connection threads

For well-sealed and reliable cable entries.

The compact design of the AGRO MCE Pro with the integrated multiLAYER sealing element is based on the principle of axial compression. The system facilitates the reliable and flexible feedthrough of multiple cables while simultaneously providing excellent sealing performance and strain relief – even in confined spaces. Installation from the front, without the need for additional materials, simplifies the installation process and ensures reliable sealing. The modular design of the sealing element also facilitates easy adaptation to different cable diameters.

The advantages of AGRO's MCE Pro at a glance:

- Very good sealing performance (IP 6X / IP X8 / IP X9K) in accordance with the cable gland standard EN 62444
- Absolute process reliability (screws simply tightened "to the stop")
- Flexibility with respect to cable diameter thanks to the use of MultiLAYER sealing elements
- High pull-out forces in accordance with EN 62444
- The installation from the front is quick and cost-effective
- Extremely robust (high impact strength)
- No auxiliary materials or lubricants required
- Suitable for pre-assembly

Dichteinheiten:

- The "EX-Compact" sealing principle is well-proven with millions of applications in standard cable glands
- The MultiLAYER sealing system offers great flexibility with respect to cable diameter
- Ingress protection rating IP6X / IPX8 / IPX9K
- High pull-out resistance
- Suitable for cables of diameter 4.0 to 22.5 mm
- Splittable for easy replacement
- Customer-specific sealing elements, e.g. with multiple holes, can also be produced

MCE Pro system:

- High process reliability
- High robustness, impact strength and impermeability
- Also suitable for applications with heightened environmental requirements
- Pre-assembled systems can be efficiently installed at the desired location
- No auxiliary materials or lubricants are required for installation



Frame:

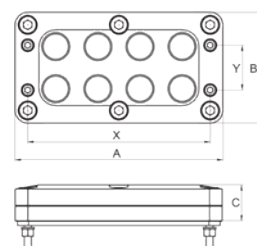
- High-strength anodised aluminium parts offer high impact resistance (tested in accordance with EN 62444) and good temperature and ageing resistance
- Drilling pattern based on industry standard dimensions

Gasket options:

- Flat gasket of CR (chloroprene rubber); tested for rating IPX8 with a maximum of 0.3 bar for 30 minutes; suitable for uneven, rough surfaces
- Flat gasket of NBR (acrylonitrile butadiene rubber); tested for rating IPX8 with a maximum of 4 bar for 60 minutes; suitable for smooth surfaces and more demanding sealing requirements

Milled aluminium, monolithic parts

Material: Anodised aluminium
 Seal: NBR
 Gasket: CR (Chloropren rubber)
 Strain relief: Design according to EN 62444
 Protection class: IP 68 = 0.3 bar / 30 minutes.
 Operating temperature: -30 °C / +105 °C

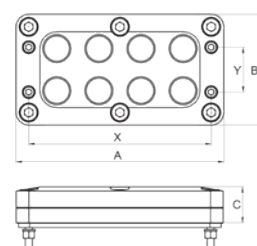


- Very good sealing performance (IP6X / IPX8 / IPX9K) in accordance with EN 62444
- Absolute process reliability
- Flexibility with respect to cable diameter thanks to the use of MultiLAYER sealing elements
- High pull-out forces in accordance with EN 62444
- Installation is quick and cost-effective
- Extremely robust and offers great flexibility
- No auxiliary materials or lubricants required
- Suitable for pre-assembly

				A	B	C	X	Y			Art.-No.	
		min mm	max mm	mm	mm	mm	mm	mm		mm		
MCE 08 / 08 S010	8	4.0	10.0	148	79	26	130	32	M5	112x50	1908.88.08.010	1
MCE 08 / 08 S011	8	6.0	16.0	148	79	26	130	32	M5	112x50	1908.88.08.011	1
MCE 08 / 03 S012	3	10.0	22.5	148	79	26	130	32	M5	112x50	1908.88.03.012	1

Milled aluminium, monolithic parts

Material: Anodised aluminium
 Seal: NBR
 Gasket: NBR (acrylonitrile butadiene rubber)
 Strain relief: Design according to EN 62444
 Protection class: IP 68 (max. 4 bar for 60 minutes)
 Operating temperature: -30 °C / +105 °C



- High sealing level IP 6X / IP X8 / IP X9K according to EN 62444
- Absolute process reliability
- Flexibility with respect to cable diameter thanks to the use of MultiLAYER sealing elements
- High pull-out forces in accordance with EN 62444
- Installation is quick and cost-effective
- Extremely robust and offers great flexibility
- No auxiliary materials or lubricants required
- Can be pre-assembled

				A	B	C	X	Y			Art.-No.	
		min mm	max mm	mm	mm	mm	mm	mm		mm		
MCE 08 / 08 S020	8	4.0	10.0	148	79	26	130	32	M5	112x50	1908.88.08.020	1
MCE 08 / 08 S021	8	6.0	16.0	148	79	26	130	32	M5	112x50	1908.88.08.021	1
MCE 08 / 03 S022	3	10.0	22.5	148	79	26	130	32	M5	112x50	1908.88.03.022	1

For problem-free, process-reliable feedthroughs with good sealing.

AGRO MCE Pro EMC combines a reliable cable feedthrough with an integrated EMC contact principle based on the proven easyCONNECT spring technology. The contact spring facilitates a secure, mechanically decoupled shield connection that functions reliably with either partially stripped or fully exposed cable shields.

The deformation-resistant spring adapts to varying shield diameters, facilitating a consistent and detachable shield contact without damaging the cable braid. The system is also suitable for multi-holed sealing elements, thus further enhancing cable layout flexibility. Combined with its front mounting and its robust design, this creates a highly functional system for applications with demanding EMC requirements – easy to use and reliable in operation.

The advantages of AGRO MCE Pro EMC at a glance:

- Strong and secure shield grip thanks to the spring-based contact system
- Low transfer impedance
- Absolute reliability in terms of system assembly, full installation control with regard to the cable shield
- High degree of sealing (IP 6X / IP X8 / IP X9K) in accordance with the cable gland standard EN 62444
- Flexibility with respect to cable diameter thanks to the use of MultiLAYER sealing elements
- High pull-out forces in accordance with EN 62444
- The installation from the front is quick and cost-effective
- Extremely robust (high impact strength)
- No auxiliary materials or lubricants required

Sealing elements:

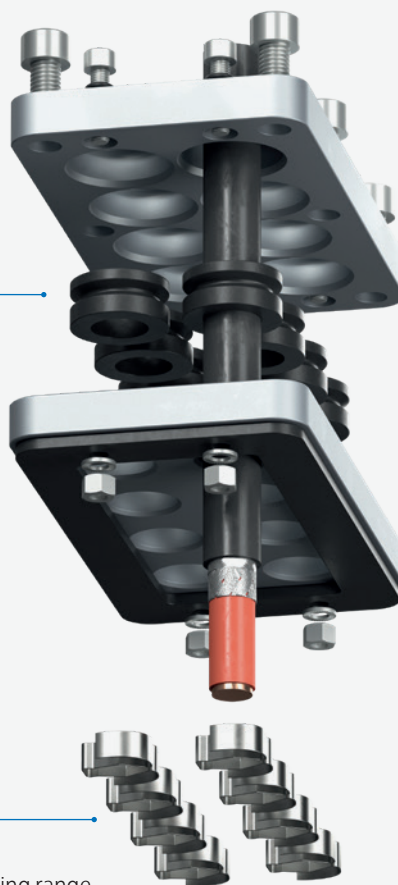
- The "EX-Compact" sealing principle is well-proven with millions of applications in standard cable glands
- The MultiLAYER sealing system offers great flexibility with respect to cable diameter
- Ingress protection rating IP 6X / IP X8 / IP X9K
- High pull-out resistance
- Suitable for cables of diameter 4.0 to 22.5 mm
- Splittable for easy replacement
- Customer-specific sealing elements, e.g. with multiple holes, can also be produced

Lower plate:

- Made of nickel-plated aluminium for the optimal discharge of interference signals
- With an additional M5 earthing point for grounding connection between the lower plate and the housing
- Drilling pattern based on industry standard dimensions

Contact springs:

- easyCONNECT contact springs with large clamping range (enhanced flexibility with respect to cable diameter)
- Allow visual inspection of the shield connection



Upper plate:

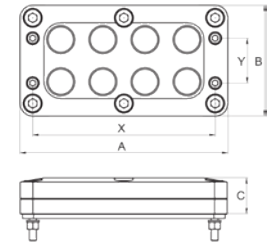
- High-strength anodised aluminium offering high impact resistance (tested in accordance with EN 62444) and good temperature and ageing resistance

Gasket options:

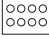







- Flat gasket of CR (chloroprene rubber); tested for rating IP X8 with a maximum of 0.3 bar for 30 minutes; suitable for uneven, rough surfaces
- Flat gasket of NBR (acrylonitrile butadiene rubber); tested for rating IP X8 with a maximum of 4 bar for 60 minutes; suitable for smooth surfaces and more demanding sealing requirements

Milled aluminium, monolithic parts

Material: Anodised aluminium / Nickel-plated
 Seal: NBR
 Gasket: CR (chloroprene rubber)
 Strain relief: Designed according to EN 62444
 Protection class: IP 68 = 0.3 bar for 30 minutes
 Operating temperature: -30 °C / +105 °C

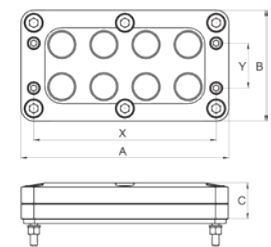


- Strong and secure shield grip thanks to the spring-based contact system
- Low transfer impedance
- Absolute reliability in terms of system assembly, full installation control with respect to the cable shield
- High degree of sealing (IP 6X / IP X8 / IP X9K) in accordance with the cable gland standard EN 62444
- Flexibility with respect to cable diameter thanks to the use of MultiLAYER sealing elements
- High pull-out forces in accordance with EN 62444
- Installation is quick and cost-effective
- Extremely robust (high impact strength)
- No auxiliary materials or lubricants required

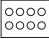







						A	B	C	X	Y			Art.-No.	
		min mm	max mm	min mm	max mm	mm	mm	mm	mm	mm		mm		
MCE 08 / 08 S101	8	4.0	10.0	3.5	12.0	148	79	26	130	32	M5	112x50	1908.88.08.83.101	1
MCE 08 / 08 S102	8	6.0	16.0	4.5	17.0	148	79	26	130	32	M5	112x50	1908.88.08.83.102	1
MCE 08 / 03 S103	3	10.0	22.5	7.5	21.0	148	79	26	130	32	M5	112x50	1908.88.03.83.103	1

Milled aluminium, monolithic parts

Material: Anodised aluminium
 Seal: NBR
 Gasket: NBR (acrylonitrile butadiene rubber)
 Strain relief: Design according to EN 62444
 Protection class: IP 68 (max. 4 bar for 60 minutes)
 Operating temperature: -30 °C / +105 °C



- Strong and secure shield grip thanks to the spring-based contact system
- Low transfer impedance
- Absolute reliability in terms of system assembly, full installation control with respect to the cable shield
- High degree of sealing (IP 6X / IP X8 / IP X9K) in accordance with the cable gland standard EN 62444
- Flexibility with respect to cable diameter thanks to the use of MultiLAYER sealing elements
- High pull-out forces in accordance with EN 62444
- Extremely robust (high impact strength)
- No auxiliary materials or lubricants required

						A	B	C	X	Y			Art.-No.	
		min mm	max mm	min mm	max mm	mm	mm	mm	mm	mm		mm		
MCE 08 / 08 S111	8	4.0	10.0	3.5	12.0	148	79	26	130	32	M5	112x50	1908.88.08.83.111	1
MCE 08 / 08 S112	8	6.0	16.0	4.5	17.0	148	79	26	130	32	M5	112x50	1908.88.08.83.112	1
MCE 08 / 03 S113	3	10.0	22.5	7.5	21.0	148	79	26	130	32	M5	112x50	1908.88.03.83.113	1

1
2
3
4
5
6
7
8
9
10
11

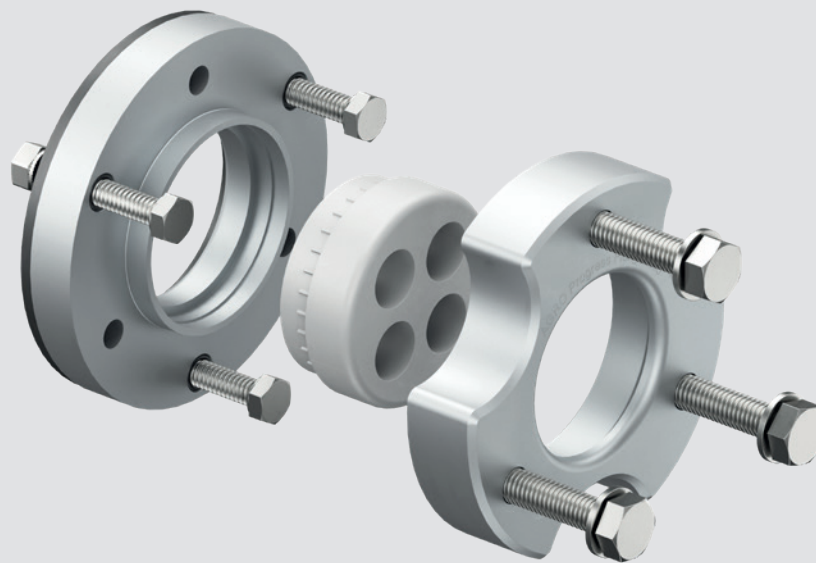
Flexibility thanks to the Progress® modular system.

Progress® Flange M50 was specially developed for applications requiring fast, straightforward and low-torque installation. Its front-mounted design allows it to be installed without twisting the cables – a major advantage for pre-assembled cables and easily disturbed plug-type connections.

The design incorporates two types of screwed connection: Three screws fix the lower part in place at the installation location, and three additional screws connect the upper part to the lower part, holding the sealing element securely in position and generating the required contact pressure. The split sealing inserts from the Progress® modular system enable pre-assembled cables to be fed through with a generous clearance. For maximum flexibility, customised sealing inserts can be provided.

The advantages of AGRO's Progress® Flange M50 at a glance:

- Easy installation; can be screwed from the front with low torque
- Quick installation with a ratchet or cordless screwdriver (no awkward open-end wrench required)
- Customised sealing elements (regarding hole pattern, sealing material, etc.)
- Absolute process reliability; tightened manually "to the stop"
- No twisting of cables during installation
- High degree of sealing (customer-specific requirements can be implemented)
- High strain-relief forces
- Anodised aluminium; extremely robust and assembly customisation possible
- No auxiliary materials or lubricants required for installation



The flat gaskets supplied enable the device to be mounted on housings with various surface textures.

Gasket options (included):



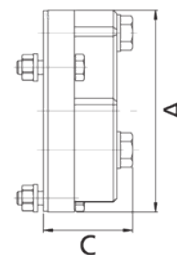
- Flat gasket of CR (chloroprene rubber); tested for rating IPX8 with a maximum of 0.3 bar for 30 minutes; suitable for uneven, rough surfaces



- Flat gasket of NBR (acrylonitrile butadiene rubber); tested for rating IPX8 with a maximum of 4 bar for 60 minutes; suitable for smooth surfaces and more demanding sealing requirements

Milled aluminium, monolithic parts

Material: Anodised aluminium
 Seal: Progress® modular system, customised design
 Gasket: CR or NBR
 Protection class: According to customer request
 Operating temperature: -40 °C / +100 °C



- Easy installation; can be screwed from the front with low torque
- Quick installation with a ratchet or cordless screwdriver (no awkward open-end wrench required)
- Customised sealing elements (regarding hole pattern, sealing material, etc.)
- Absolute process reliability; tightened manually "to the stop"
- No twisting of cables during installation
- High degree of sealing (customer-specific requirements can be implemented)
- High strain-relief forces
- Anodised aluminium; extremely robust and assembly customisation possible
- No auxiliary materials or lubricants required for installation



Art.-No.



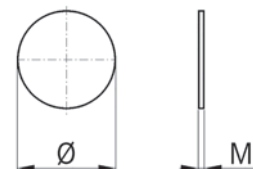
1	88	39
---	----	----

1988.88.001

1

Dust protection discs

Material: Polyamide PA 6
 Material thickness: 0.3 mm
 Protection class: IP 68 = 2 bar / 30 minutes
 Operating temperature: -20 °C / +100 °C



- Dust protection discs

Ø mm	M mm	Art.-No.	Quantity
23.5	0.3	1908.20.235.05	50
26.5	0.3	1908.25.265.05	50
34.3	0.3	1908.32.343.05	50





Splittable frames of 1910 series for cables with or without connectors

The splittable frames of the 1910 series facilitate the feedthrough of cables with or without connectors, with diameters from 2 to 35 mm, thanks to the various available cable grommets. The way the frame comes together at the sides provides strain relief and sealing. The grommets can be freely positioned within the frame. The specified protection classes can be achieved with any combination of grommets (single, double, quadruple, large). The spray-on coating and thus the complete V0 self-extinguishing of the system make the 1910 series a unique product.

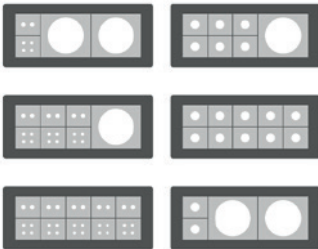
- Multiple configurations in the same frame
- Steel fixing screws (AISI 304)
- Colour: Black
- High pull-out forces in accordance with EN 62444
- Robust design (IK 10)
- Sprayed-on coating in accordance with UL 94 V-0



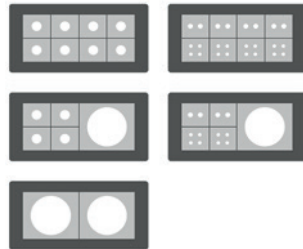
Accessories

Grommets of series 1919.SPP | Grommets of series 1919.SPG | Click-closed frame of series 1910.FLAP | Protection caps 1950.CAPS.1 | Inserts 1950.ISP | Mounting bolts 1950.Vx

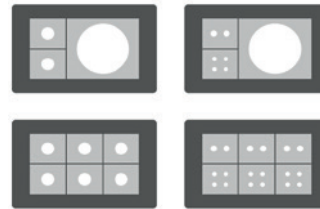
Further information



Possible configurations for 1910.24



Possible configurations for 1910.16



Possible configurations for 1910.10



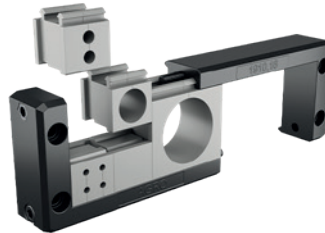
Possible configurations for 1910.Q



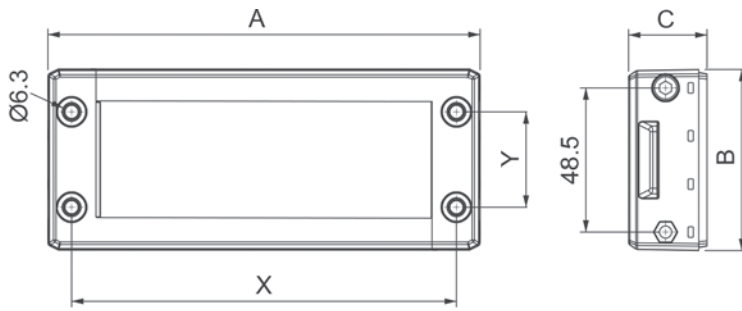
Application example




Product images



Dimensioned drawing 1910.XX



Material: PP + GF
 Properties: Halogen-free, silicone-free
 Strain relief: Design A according to EN 62444
 Flammability: Self-extinguishing in accordance with UL 94 V-0
 Operating temperature: -40 °C / +155 °C

A	B	C	X	Y	>□<	Art.-No.	
mm	mm	mm	mm	mm	mm		
146	61	26.5	130	32	112x39	1910.24	10
120	61	26.5	103	32	86x39	1910.16	10
99	61	26.5	83	32	63x39	1910.10	10
74	61	26.5	58	32	40x39	1910.Q	10

Available on request:
 Set of 4 fixing screws of stainless steel (AISI 304) with black Dacromet coating





Splittable frames with double brush-type seal

The 1910.ZZ series is a splittable frame with two rows of brush-type seals. It is designed for the feedthrough of cables with or without connectors where sealing and strain relief are not required. Effective protection against dust and dirt is provided by the double brush-type seal.

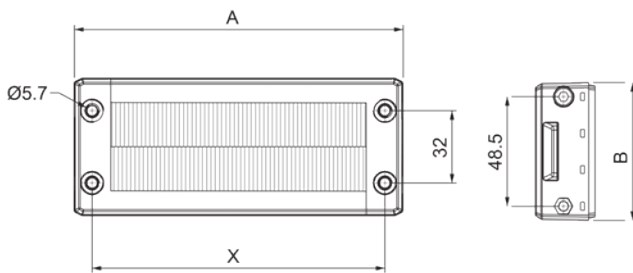
- Frame with brush-type seal for cables with or without connectors
- Double brush-type seal offers increased dust protection
- Colour: Black



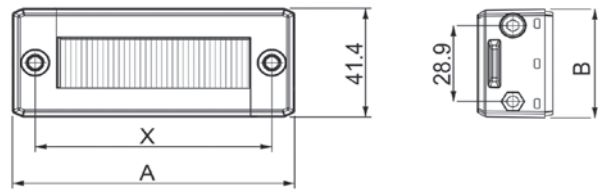
Accessories

Click-closed frame of series 1910.FLAP

Dimensioned drawing 1910.ZZ.xx




Dimensioned drawing 1910.ZZ.Lx




Material:	PP + GF
Properties:	Halogen-free, silicone-free
Flammability:	Self-extinguishing in accordance with UL 94 V-0
Operating temperature:	-25 °C / +80 °C



A	B	C	X	Y	>□<	Art.-No.	
mm	mm	mm	mm	mm	mm		
146	61	26.5	130	32	112x39	1910.ZZ.24	1
120	61	26.5	103	32	86x39	1910.ZZ.16	1
99	61	26.5	83	32	63x39	1910.ZZ.10	1
74	61	26.5	58	32	40x39	1910.ZZ.Q	1

Available on request:
Set of 4 fixing screws of stainless steel (AISI 304) with black Dacromet coating



A	B	C	X	>□<	Art.-No.	
mm	mm	mm	mm	mm		
146	41.4	26.5	130	108x18	1910.ZZ.L5	1
120	41.4	26.5	103	86x18	1910.ZZ.L4	1
99	41.4	26.5	83	63x18	1910.ZZ.L3	1
74	41.4	26.5	58	40x18	1910.ZZ.L2	1

Monolithic cable feedthrough strips with brush-type seal

The 1910.Z series is designed for the routing of cables, with or without connectors, where sealing and strain relief are not required. Effective protection against dust and dirt.

- Frame with brush-type seal for cables with or without connectors
- Cost-effective solution
- Colour: Black

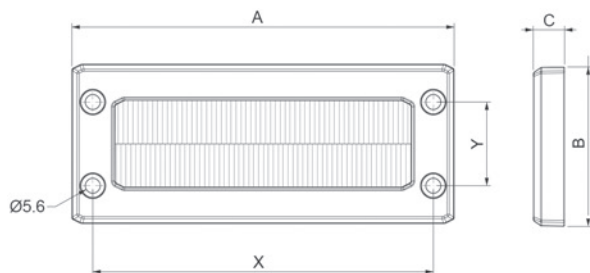


Further information



Product image

Dimensioned drawing 1910.Z.xx



Material: PC
 Properties: Halogen-free, silicone-free
 Flammability: Self-extinguishing in accordance with UL 94 V-0
 Operating temperature: -25 °C / +80 °C

A	B	C	X	Y	>□<	Art.-No.	
mm	mm	mm	mm	mm	mm		
146	61	12	130	32	112x39	1910.Z.24	10
120	61	12	103	32	86x39	1910.Z.16	10
99	61	12	83	32	63x39	1910.Z.10	10



1911-series splittable low-profile frames for cables with or without connectors



Das The 1911-series low-profile cable entry system consists of a splittable frame that is designed to accommodate small (1919.SPP) cable grommets. All grommet combinations, including single, double and quadruple grommets, achieve the specified protection classes. The spray-on coating facilitates quick installation and achieves V0-level self-extinguishing capability.

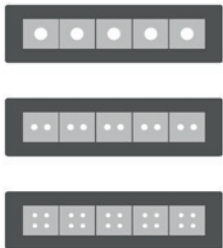
- For small 1919.SPP-series grommets
- Steel fixing screws (AISI 304)
- Colour: Black
- High pull-out forces in accordance with EN 62444
- Robust design (IK 10)
- Sprayed-on coating in accordance with UL 94 V-0



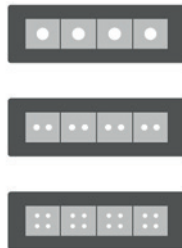
Accessories

Grommets of series 1919.SPP | Protection caps 1950.CAPS.1 | Inserts 1950.ISP | Mounting bolts 1950.Vx

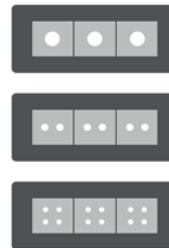
Further information



Possible configurations for 1911.L5



Possible configurations for 1911.L4



Possible configurations for 1911.L3



Possible configurations for 1911.L2



Possible configurations for 1911.L1



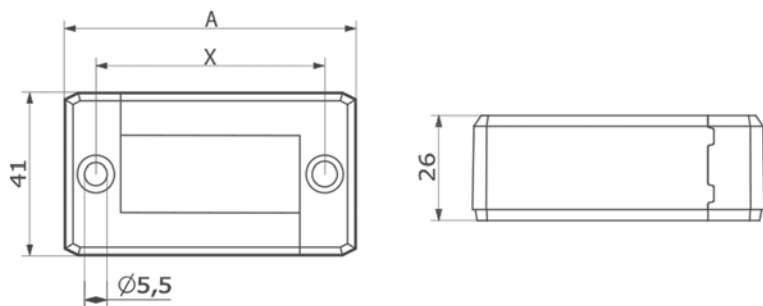
Application example




Product images



Dimensioned drawing 1911.xx



Material: PP + GF
 Properties: Halogen-free, silicone-free
 Flammability: Self-extinguishing in accordance with UL 94 V-0
 Operating temperature: -40 °C / +155 °C

A	B	C	X	>□<	Art.-No.	
mm	mm	mm	mm	mm		
146	41	26	130	112x18	1911.L5	10
120	41	26	103	86x18	1911.L4	10
99	41	26	83	63x18	1911.L3	10
74	41	26	58	40x18	1911.L2	10
54.3	41	26	38	21x18	1911.L1	10

Available on request:
 Set of 2 fixing screws of stainless steel (AISI 304) with black Dacromet coating





1912.Lx.FT-series splittable low-profile frames for rear mounting

The low-profile splittable frames of the 1912.Lx.FT series feature threaded inserts and front-surface plugs, facilitating rear mounting while keeping the front surface clean by preventing dirt accumulation. All other technical specifications are the same as the 1910 standard series.

- Smooth surface prevents dirt buildup
- Can be mounted from the rear side thanks to M4 threaded inserts
- Colour: Black
- High pull-out forces in accordance with EN 62444
- Robust design (IK 10)
- Sprayed-on coating in accordance with UL 94 V-0



Accessories

Grommets of series 1919.SPP | Protection caps 1950.CAPS.1 | Inserts 1950.ISP

Further information



Possible configurations for 1912.L5.FT



Possible configurations for 1912.L4.FT



Possible configurations for 1912.L3.FT

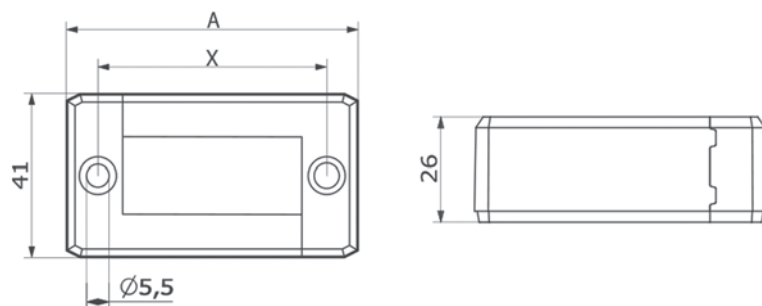


Possible configurations for 1912.L2.FT



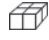
Product images

Dimensioned drawing 1912.Lx.FT



1912.Lx.FT-series splittable low-profile frames for rear mounting

Material: PP + GF
 Properties: Halogen-free, silicone-free
 Flammability: Self-extinguishing in accordance with UL 94 V-0
 Operating temperature: -40 °C / +155 °C

A mm	B mm	C mm	X mm	>□< mm	Art.-No.	
146	41.4	26.5	130	112x18	1912.L5.FT	10
120	41.4	26.5	103	86x18	1912.L4.FT	10
99	41.4	26.5	83	63x18	1912.L3.FT	10
74	41.4	26.5	58	40x18	1912.L2.FT	10



1

2

3

4

5

6

7

8

9

10

11

1912.xx.FT-series splittable frames for rear mounting



1912.xx.FT splittable frames are equipped with threaded inserts and frontsurface plugs that enable them to be installed from behind and help avoid dirt accumulation on the front. All other technical specifications correspond to the standard 1910 series.

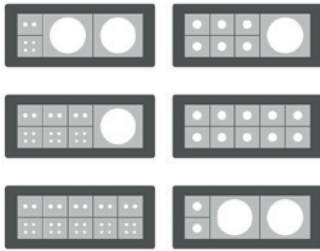
- Smooth surface prevents dirt buildup
- Rear mounting using M4 threaded inserts
- Colour: Black
- High pull-out forces in accordance with EN 62444
- Robust design (IK 10)
- Sprayed-on coating in accordance with UL 94 V-0



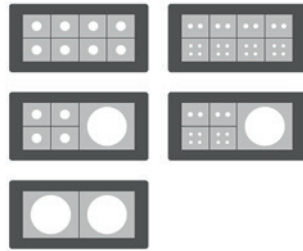
Accessories

Grommets of series 1919.SPP | Grommets of series 1919.SPG | Protection caps 1950.CAPS.1 | Inserts 1950.ISP

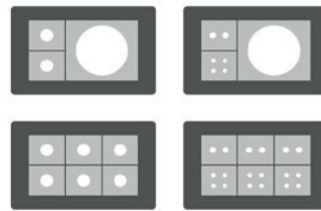
Further information



Possible configurations for 1912.24.FT



Possible configurations for 1912.16.FT



Possible configurations for 1912.10.FT

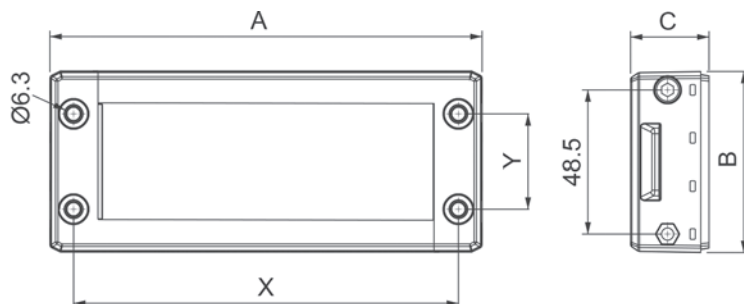


Possible configurations for 1912.Q.FT




Product images

Dimensioned drawing 1912.xx.FT



Material: PP + GF
 Properties: Halogen-free, silicone-free
 Flammability: Self-extinguishing in accordance with UL 94 V-0
 Operating temperature: -40 °C / +155 °C

A	B	C	X	Y	>□<	Art.-No.	
mm	mm	mm	mm	mm	mm		
146	61	26.5	130	32	112x39	1912.24.FT	10
120	61	26.5	103	32	86x39	1912.16.FT	10
99	61	26.5	83	32	63x39	1912.10.FT	10
74	61	26.5	58	32	40x39	1912.Q.FT	10



1

2

3

4

5

6

7

8

9

10

11

1913-series splittable frames with 90° angle, size 24



This 90° cable entry system is used where a machine's design does not permit straight cable entries or where an optimised design is desired. It is suitable for cables with or without connectors, or for corrugated conduits, or for a combination of both. The grommets can be freely arranged within the frame.

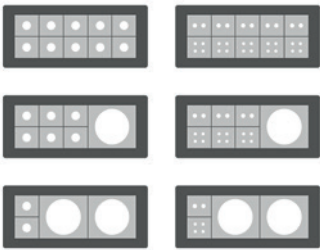
- 90° angle for cable entry
- Multiple configurations possible in the same frame
- Frame screws of AISI304 stainless steel
- Colour: Black
- High pull-out forces in accordance with EN 62444
- Robust design (IK 10)



Accessories

Grommets of series 1919.SPP | Grommets of series 1919.SPG | Inserts 1950.ISP

Further information



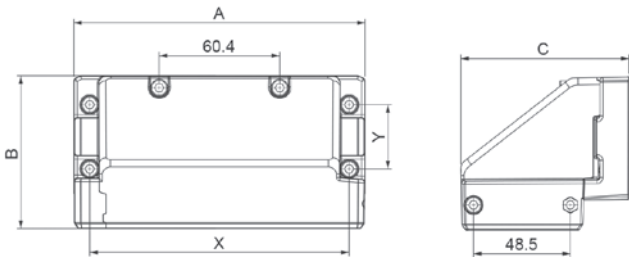
Possible configurations for 1913.2490



Product images



Dimensioned drawing 1913.xx



Material: PP + GF
 Properties: Halogen-free, silicone-free
 Flammability: Self-extinguishing in accordance with UL 94 V-0
 Operating temperature: -40 °C / +155 °C



A mm	B mm	C mm	X mm	Y mm	>□< mm	Art.-No.	
146	76.3	84.2	130	32	112x39	1913.2490	1

Splittable modular frames, size 24

The splittable frames of the 1914.24M series allow up to 40 cables with or without connectors, or one or two cables up to 35 mm in diameter, to be routed through the sides of control cabinets or machines. The associated small and large grommets can be freely positioned inside the frame. This frame is also the base unit for the expandable MX version.

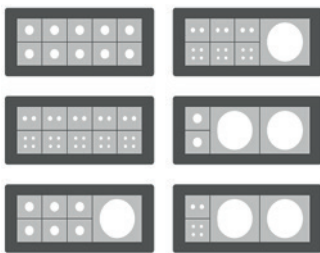
- Multiple configurations in the same frame
- Frame screws of AISI304 stainless steel
- Includes separate gasket
- High pull-out forces in accordance with EN 62444
- Robust design (IK 10)
- Colour: Black



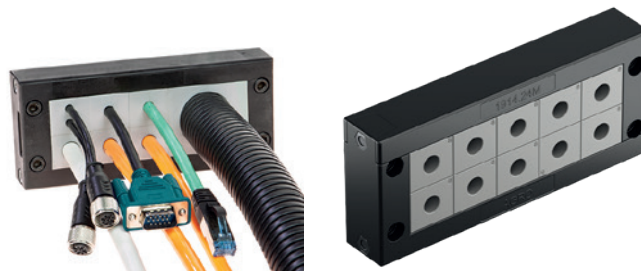
Accessories

Grommets of series 1919.SPP | Grommets of series 1919.SPG | Protection caps 1950.CAPS.1 | Inserts 1950.ISP | Mounting bolts 1950.Vx

Further information

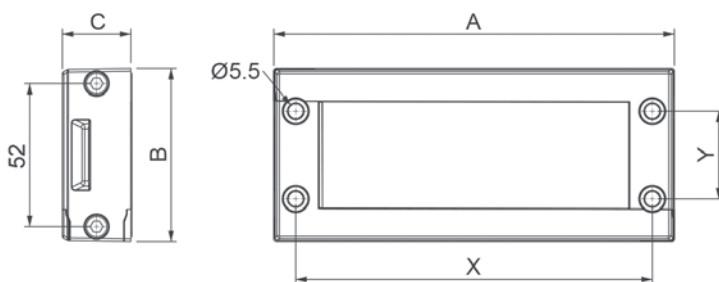


Possible configurations for 1914.24M



Product images

Dimensioned drawing 1914.24M



Material: PP + GF
 Properties: Halogen-free, silicone-free
 Flammability: Self-extinguishing in accordance with UL 94 V-0
 Operating temperature: -40 °C / +155 °C

A	B	C	X	Y	>□<	Art.-No.	
mm	mm	mm	mm	mm	mm		
146	63	25	130	32	114x40	1914.24M	10

Available on request:
 Set of 4 fixing screws of stainless steel (AISI 304) with black Dacromet coating





Extended modular frames, size 24, 1.5 windows

The 1914.MX15 splittable frame allows up to 60 cables with or without connectors, or one or two cables up to 35 mm in diameter, to be routed through the sides of control cabinets or machines. The associated small and large grommets can be freely positioned inside the frame. The frame is securely closed by three stainless steel screws on one side.

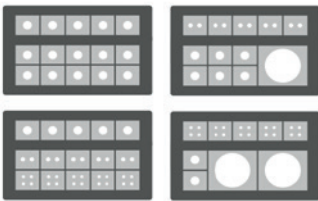
- Multiple configurations in the same frame
- Frame screws of AISI304 stainless steel
- Colour: Black
- High pull-out forces in accordance with EN 62444
- Robust design (IK 10)
- Includes separate gasket
- Version with threaded inserts available on request



Accessories

Grommets of series 1919.SPP | Grommets of series 1919.SPG | Protection caps 1950.CAPS.1 | Inserts 1950.ISP | Mounting bolts 1950.Vx

Further information

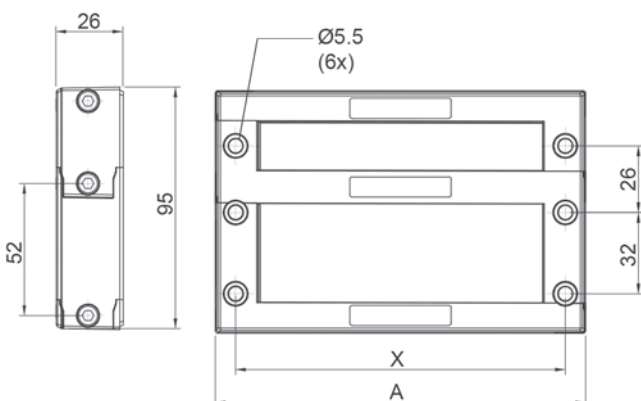


Possible configurations for 1914.24MX15



Product image

Dimensioned drawing 1914.24MX15



Material: PP + GF
 Properties: Halogen-free, silicone-free
 Flammability: Self-extinguishing in accordance with UL 94 V-0
 Operating temperature: -40 °C / +155 °C

A	B	C	X	Y	>□<	Art.-No.	
mm	mm	mm	mm	mm	mm		
146	95	26	130	32/26	114x72	1914.24MX15	10

Available on request:
 Set of 4 fixing screws of stainless steel (AISI 304) with black Dacromet coating



1

2

3

4

5

6

7

8

9

10

11



Extended modular frames, size 24, multiple windows

The 1914.24MXx family of splittable frames is a modular solution for routing a large number of cables through the sides of control cabinets or machines. As well as being modular, it can also be used as a general-purpose cable entry solution. It facilitates the routing of up to 40 cables, with or without connectors, and modifications can be carried out quickly, easily and costeffectively.

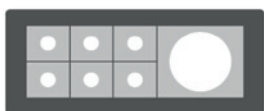
- Multiple configurations in the same frame
- Frame screws of AISI304 stainless steel
- Colour: Black
- High pull-out forces in accordance with EN 62444
- Robust design (IK 10)
- Includes separate gasket



Accessories

Grommets of series 1919.SPP | Grommets of series 1919.SPG | Protection caps 1950.CAPS.1 | Inserts 1950.ISP | Mounting bolts 1950.Vx

Further information



Possible configurations for 1914.24MXx (each window)



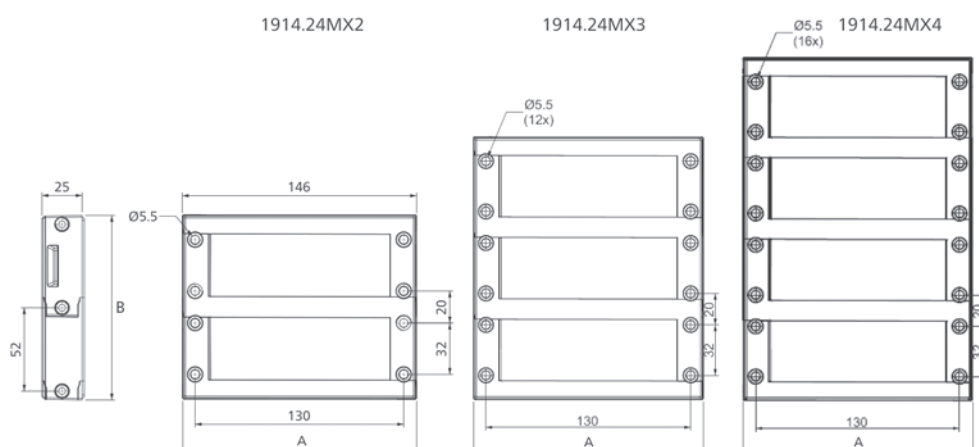
Application example




Product images



Dimensioned drawing 1914.24MXx



Material: PP + GF
 Properties: Halogen-free, silicone-free
 Flammability: Self-extinguishing in accordance with UL 94 V-0
 Operating temperature: -40 °C / +155 °C

A mm	B mm	C mm	X mm	Y mm	>□< mm	Art.-No.	
146	530	26	130	9x (32+20) + 32	114x508	1914.24MX10	1
146	166	26	130	32/20/32/20/32	114x144	1914.24MX3	1
146	115	26	130	32/20/32	114x92	1914.24MX2	1

Available on request:
 Set of 4 fixing screws of stainless steel (AISI 304) with black Dacromet coating



1

2

3

4

5

6

7

8

9

10

11



Splittable modular frames, size 16

The splittable frames of the 1914.16M series allow up to 32 cables with or without connectors, or one or two cables up to 35 mm in diameter, to be routed through the sides of control cabinets or machines. The associated small and large grommets can be freely positioned inside the frame. This frame is also the base unit for the expandable MX version.

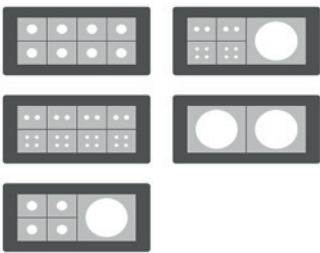
- Multiple configurations in the same frame
- Frame screws of AISI304 stainless steel
- Includes separate gasket
- High pull-out forces in accordance with EN 62444
- Robust design (IK 10)
- Colour: Black



Accessories

Grommets of series 1919.SPP | Grommets of series 1919.SPG | Protection caps 1950.CAPS.1 | Inserts 1950.ISP | Mounting bolts 1950.Vx

Further information



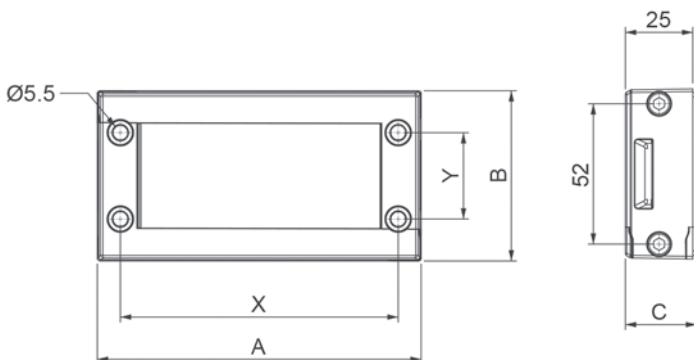
Possible configurations for 1914.16M



Product images



Dimensioned drawing 1914.16M



Material: PP + GF
 Properties: Halogen-free, silicone-free
 Flammability: Self-extinguishing in accordance with UL 94 V-0
 Operating temperature: -40 °C / +155 °C

A	B	C	X	Y	>□<	Art.-No.	
mm	mm	mm	mm	mm	mm		
120	63	26.4	103	32	86x40	1914.16M	10

Available on request:
 Set of 4 fixing screws of stainless steel (AISI 304) with black Dacromet coating



1

2

3

4

5

6

7

8

9

10

11



Extended modular frames, size 16, multiple windows

The 1914.16MXx family of splittable frames is a modular solution for routing a large number of cables through the sides of control cabinets or machines. As well as being modular, it can also be used as a general-purpose cable entry solution. It facilitates the routing of up to 32 cables, with or without connectors, and modifications can be carried out quickly, easily and costeffectively.

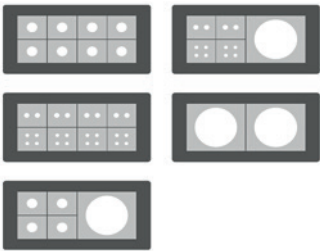
- Multiple configurations in the same frame
- Frame screws of AISI304 stainless steel
- Colour: Black
- High pull-out forces in accordance with EN 62444
- Robust design (IK 10)
- Includes separate gasket



Accessories

Grommets of series 1919.SPP | Grommets of series 1919.SPG | Protection caps 1950.CAPS.1 | Inserts 1950.ISP | Mounting bolts 1950.Vx

Further information



Possible configurations for 1914.16MXx (each window)

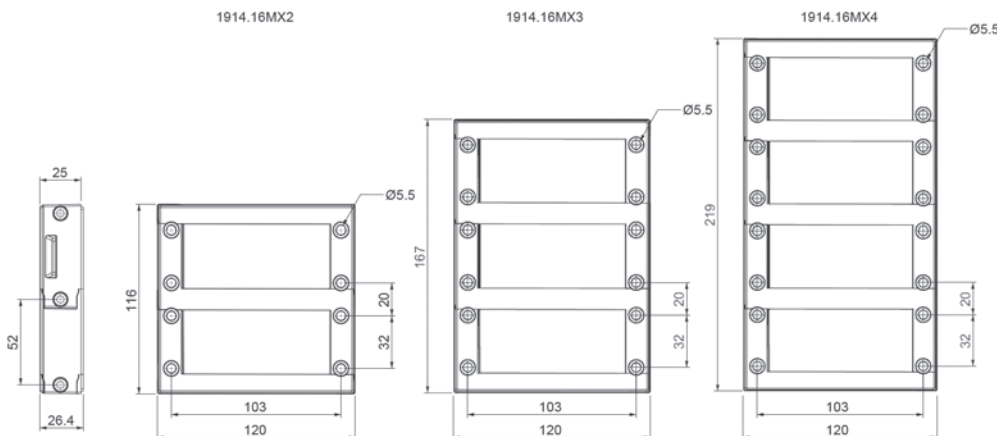


Application example




Product image

Dimensioned drawing 1914.16MXx



Material: PP + GF
 Properties: Halogen-free, silicone-free
 Flammability: Self-extinguishing in accordance with UL 94 V-0
 Operating temperature: -40 °C / +155 °C

A mm	B mm	C mm	X mm	Y mm	>□< mm	Art.-No.	
120	219	26.4	103	3x (32+20) +32	86x196	1914.16MX4	1
120	167	26.4	103	2x (32+20) +32	86x144	1914.16MX3	1
120	115	26.4	103	32/20/32	86x92	1914.16MX2	1

Available on request:
 Set of 4 fixing screws of stainless steel (AISI 304) with black Dacromet coating



1

2

3

4

5

6

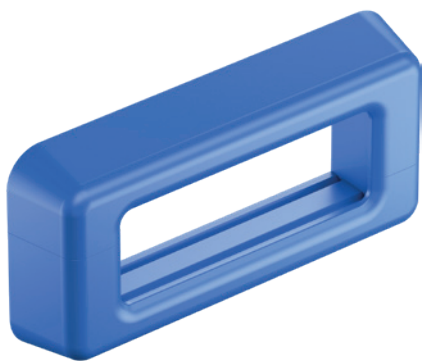
7

8

9

10

11



1915.C-series frames for hygienic applications

Each unit of the 1915 CLEAN series consists of a frame from the standard 1910 series and an FDA-compliant PC cover that fits onto this frame, as well as special hygienic grommets. The complete system is suitable for use in the food industry. The rounded-edged design and the absence of threaded inserts, which promote easy cleaning and dirt removal, make this a unique solution on the market for hygienic-design cable entry systems. The system facilitates the feedthrough of cables with or without connectors and with diameters from 2 to 35 mm.

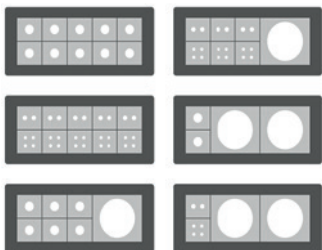
- Easy to clean
- Colour: Blue
- High pull-out forces in accordance with EN 62444
- No screw recesses or sharp edges/corners
- Rear mounting



Accessories

Grommets of series 1919.SPP.C | Grommets of series 1919.SPG.C

Further information



Possible configurations for 1915.24.C



Possible configurations for 1915.Q.C

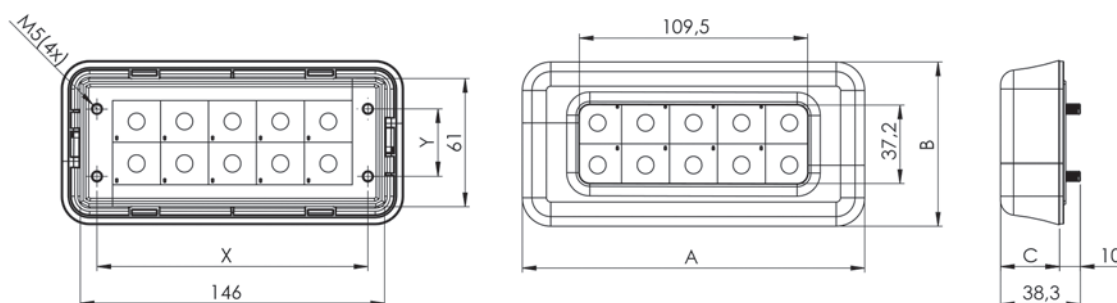


Application example

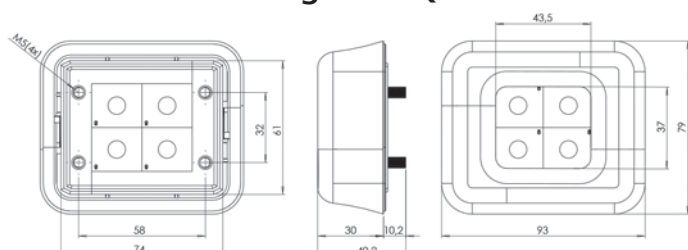


Product image


Dimensioned drawing 1915.24.C

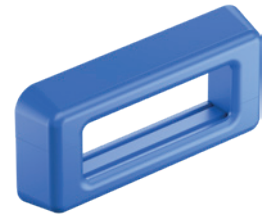


Dimensioned drawing 1915.Q.C



Material: FDA-compliant PC
 Properties: Halogen-free, silicone-free
 Flammability: UL 94 HB
 Operating temperature: -40 °C / +80 °C

A mm	B mm	C mm	X mm	Y mm	>□< mm	Art.-No.	
164.25	78.25	28.3	130	32	112x39	1915.24.C	1
93.00	79	32	58	32	40x39	1915.Q.C	1



1

2

3

4

5

6

7

8

9

10

11

FLAP click-on covers for 1910-series frames

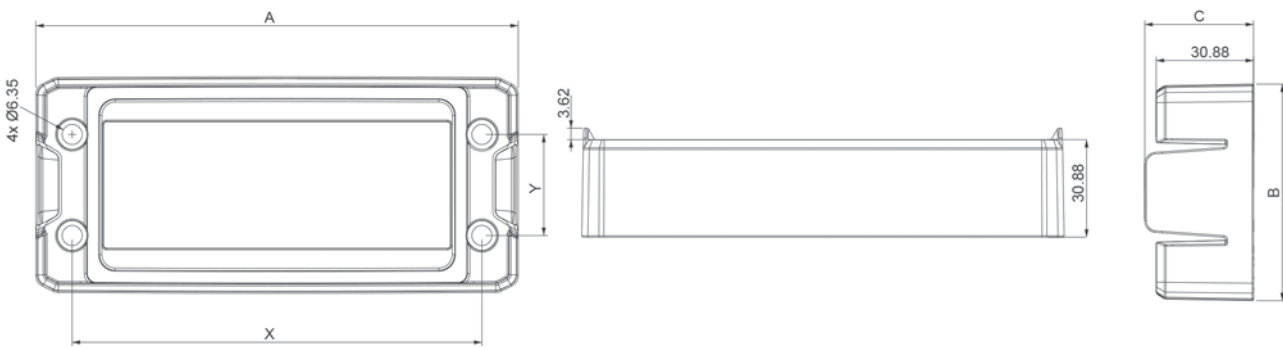


The 1910.FLAP series of click-on covers can be easily mounted onto matching frames of the types 1910.24, 1910.16, 1910.10 and 1910.Q, making them particularly suitable where installation should be quick and straightforward.

- Quick installation on 1910-series frames
- Integrated seal
- Colour: Black




Dimensioned drawing 1910.FLAP

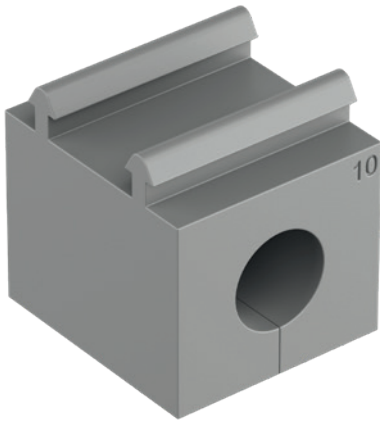


Material: PP + GF
 Properties: Halogen-free, silicone-free
 Flammability: Self-extinguishing in accordance with UL 94 V-0
 Operating temperature: -40 °C / +155 °C



A mm	B mm	C mm	X mm	Y mm	>□< mm	Art.-No.	
153.0	68.7	34.5	130.0	32.0	112x36	1910.FLAP.24	10
127.0	68.7	34.5	103.0	32.0	86x36	1910.FLAP.16	10
106.0	68.7	34.5	83.0	32.0	63x36	1910.FLAP.10	10
81.1	68.7	34.5	58.0	32.0	40x36	1910.FLAP.Q	10

		Sealing elements					
		1919.SPP.X-series	1919.SPG.X-series	1929.SPC.X-series	1929.SPL.X-series	1939.SPH-series	
Frames and cable glands							
1910.XX	Standard design	•	•	-	-	-	
1911.LX	Standard variant, "low-profile"	•	•	-	-	-	
1912.XX.FT	Standard variant, rear-mounted	•	•	-	-	-	
1913.2490	Standard variant, 90°-angled	•	•	-	-	-	
1914.24M	Modular frame, IP66, base unit	•	•	-	-	-	
1914.24MX	Modular frame, IP66, multiple windows	•	•	-	-	-	
1914.16M	Modular frame, IP66, base unit	•	•	-	-	-	
1914.16MX	Modular frame, IP66, multiple windows	•	•	-	-	-	
1915.XX.C	Hygienic "CLEAN" version	•	•	-	-	-	
1920.XX	Click-closed frame, IP54, installation without screws	-	-	•	•	-	
1930.380M	Modular "Jumbo" frame, base unit	-	-	-	-	•	
1930.380MX	Modular "Jumbo" frame, multiple windows	-	-	-	-	•	
1917.CLICK.X	Cable gland, IP54, CLICK-assembly, M20-M32	•	-	-	-	-	
1917.CLICK.50	Cable gland IP54, CLICK-assembly, M50	•	•	-	-	-	
1917.PRED.X	Cable gland, IP66, screwed assembly, M25-M63	•	-	-	-	-	
1917.PRED.5090	Cable gland, IP54, CLICK-assembly, 90°, M50	•	•	-	-	-	
1925.OSF.X	Cable gland, IP54, CLICK-assembly, M16-M32	-	-	•	-	-	
1925.OSF.40	Cable gland, IP54, CLICK-assembly, M40	-	-	•	-	-	
1925.OSF.50	Cable gland, IP54, CLICK-assembly, M50	-	-	•	•	-	
1925.OSF.63	Cable gland, IP54, CLICK-assembly, M63	-	-	•	•	-	
1925.OSF.90.X	Cable gland, IP54, CLICK-assembly, 90°, M16-M32	-	-	•	-	-	
1925.OSF.ZIP.X	Cable gland, IP54, push-in installation	-	-	•	-	-	



1919.SPP – small cable grommets: single, double or quadruple

1919.SPP-series cable grommets allow cables with a diameter of 2 to 17 mm to be routed through split frames of the 191x series. The 2X and 4X versions allow multiple cables to be routed through the same grommet.

- Blanking-type cable grommets available
- Colour: Grey
- UL 94 V-0
- Can be used in all 191x-series frames
- Splittable grommets

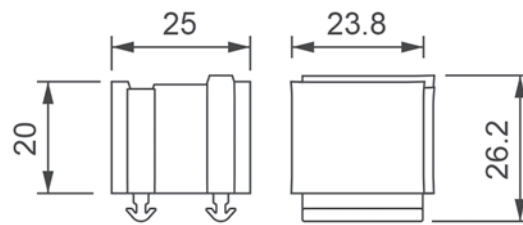


Further information

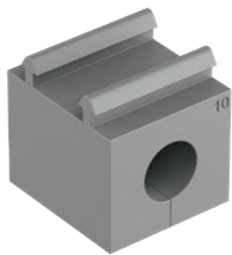


Product image

Dimensioned drawing 1919.SPP



Material:	TPE
Properties:	Halogen-free, silicone-free
Flammability:	Self-extinguishing in accordance with UL 94 V-0
Operating temperature:	-40 °C / +110 °C



- Universal solution for cables of diameter 2 to 17 mm



Ø	Ø	A	B	C	Art.-No.		
min mm	max mm	mm	mm	mm			
0x	~	~	23.8	26.2	25.0	1919.SPP.0.G	10
1x	2.0	3.0	23.8	26.2	25.0	1919.SPP.2.G	10
1x	3.0	4.0	23.8	26.2	25.0	1919.SPP.3.G	10
1x	4.0	5.0	23.8	26.2	25.0	1919.SPP.4.G	10
1x	5.0	6.0	23.8	26.2	25.0	1919.SPP.5.G	10
1x	6.0	7.0	23.8	26.2	25.0	1919.SPP.6.G	10
1x	7.0	8.0	23.8	26.2	25.0	1919.SPP.7.G	10
1x	8.0	9.0	23.8	26.2	25.0	1919.SPP.8.G	10
1x	9.0	10.0	23.8	26.2	25.0	1919.SPP.9.G	10
1x	10.0	11.0	23.8	26.2	25.0	1919.SPP.10.G	10
1x	11.0	12.0	23.8	26.2	25.0	1919.SPP.11.G	10
1x	12.0	13.0	23.8	26.2	25.0	1919.SPP.12.G	10
1x	13.0	14.0	23.8	26.2	25.0	1919.SPP.13.G	10
1x	14.0	15.0	23.8	26.2	25.0	1919.SPP.14.G	10
1x	15.0	16.0	23.8	26.2	25.0	1919.SPP.15.G	10
1x	16.0	17.0	23.8	26.2	25.0	1919.SPP.16.G	10

• Universal solution for cables of diameter 2 to 8 mm

	Ø mm	A mm	B mm	C mm	Art.-No.	
2x	2.0	23.8	26.2	25.0	1919.SPP.2X2.G	10
2x	3.0	23.8	26.2	25.0	1919.SPP.2X3.G	10
2x	4.0	23.8	26.2	25.0	1919.SPP.2X4.G	10
2x	5.0	23.8	26.2	25.0	1919.SPP.2X5.G	10
2x	6.0	23.8	26.2	25.0	1919.SPP.2X6.G	10
2x	7.0	23.8	26.2	25.0	1919.SPP.2X7.G	10
2x	8.0	23.8	26.2	25.0	1919.SPP.2X8.G	10



• Universal solution for cables of diameter 2 to 6 mm

	Ø mm	A mm	B mm	C mm	Art.-No.	
4x	2.0	23.8	26.2	25.0	1919.SPP.4X2.G	10
4x	3.0	23.8	26.2	25.0	1919.SPP.4X3.G	10
4x	4.0	23.8	26.2	25.0	1919.SPP.4X4.G	10
4x	5.0	23.8	26.2	25.0	1919.SPP.4X5.G	10
4x	6.0	23.8	26.2	25.0	1919.SPP.4X6.G	10



1

2

3

4

5

6

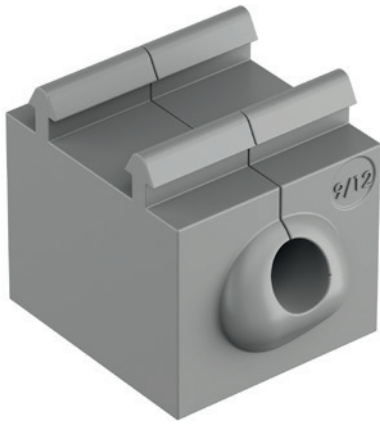
7

8

9

10

11



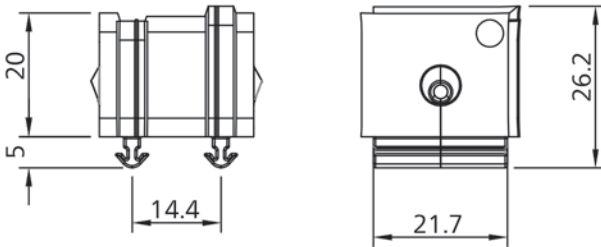
1919.SPP.R – small cable grommets with extra flexibility in terms of cable diameter

1919.SPP.R-series cable grommets allow cables with a diameter of 3 to 15 mm to be routed through split frames of the 191x series.

- Universal solution for cables of diameter 3 to 15 mm
- The entire range can be covered with just four models
- Colour: Grey
- Can be used in all 191x-series frames
- UL 94 V-0
- Splittable grommets



Dimensioned drawing 1919.SPP.R



Material: TPE
 Properties: Halogen-free, silicone-free
 Flammability: Self-extinguishing in accordance with UL 94 V-0
 Operating temperature: -40 °C / +110 °C



	Ø	Ø	A	B	C	Art.-No.	
	min mm	max mm	mm	mm	mm		
1x	3.0	6.0	24.1	26.2	25.0	1919.SPP.R1.G	10
1x	6.0	9.0	24.1	26.2	25.0	1919.SPP.R2.G	10
1x	9.0	12.0	24.1	26.2	25.0	1919.SPP.R3.G	10
1x	12.0	15.0	24.1	26.2	25.0	1919.SPP.R4.G	10

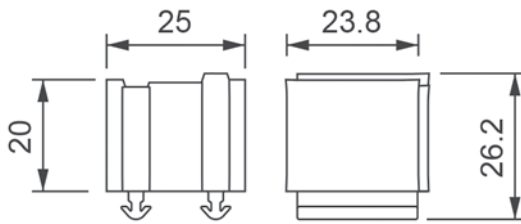
1919.SPP.K – small cable grommets with extra flexibility in terms of cable diameter, for cables without pre-fitted connectors

1919.SPP.K cable grommets have a dual function: They can be installed to serve initially as blanking grommets that can later accommodate the feedthrough of a single cable without a pre-fitted connector, or they can already accommodate such a feedthrough when installed. Five sizes are available, ranging in diameter from 2.5 to 16.5 mm. The double membrane ensures optimal water and dust protection, as well as a high degree of strain relief.

- Universal solution for cables without connectors, with cable diameter 2.5 to 16.5 mm
- Blanking-type cable grommets available
- Colour: Grey
- Can be used in all 191x-series frames
- UL 94 V-0



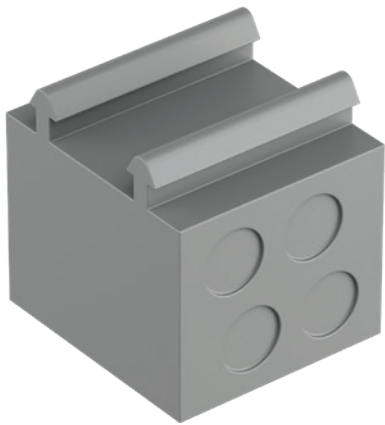
Dimensioned drawing 1919.SPP.K



Material: TPE
 Properties: Halogen-free, silicone-free
 Flammability: Self-extinguishing in accordance with UL 94 V-0
 Operating temperature: -40 °C / +110 °C

	∅	∅	A	B	C	Art.-No.	
	min mm	max mm	mm	mm	mm		
0x	-	-	23.8	26.2	25.0	1919.SPP.K0.G	10
1x	2.5	7.0	23.8	26.2	25.0	1919.SPP.K1.G	10
1x	4.5	10.0	23.8	26.2	25.0	1919.SPP.K2.G	10
1x	7.5	12.5	23.8	26.2	25.0	1919.SPP.K3.G	10
1x	9.0	14.0	23.8	26.2	25.0	1919.SPP.K4.G	10
1x	12.0	16.5	23.8	26.2	25.0	1919.SPP.K5.G	10





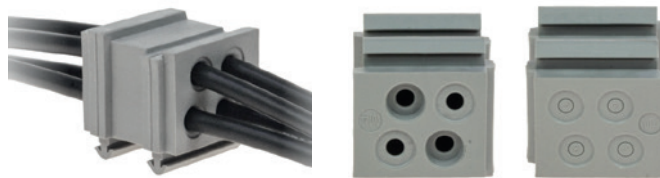
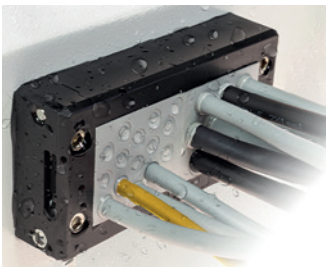
1919.SPP.M – small “membrane field” grommets

Grommets of the 1919.SPP.M series have a dual function: They can be installed in 191x-series splittable frames to serve initially as blanking grommets that can later accommodate the feedthrough of multiple cables without pre-fitted connectors, or they can already accommodate the feedthrough of such cables when installed. The double membrane ensures optimal water and dust protection.

- Membrane-type grommets for cables without connectors
- Can be used in all 191x-series frames
- Colour: Grey
- UL 94 V-0



Further information

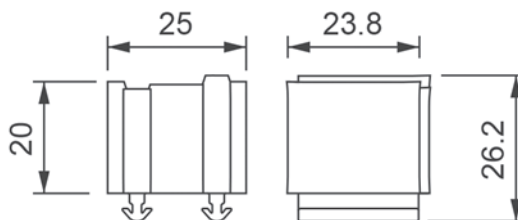


Product images

1919.SPP.M versions

1919.SPP.M4.G	1919.SPP.M4B.G
$\begin{matrix} > \emptyset < \\ \hline 4x & 6.0 \end{matrix}$	$\begin{matrix} > \emptyset < \\ \hline 2x & 3.0 \\ 2x & 7.0 \end{matrix}$

Dimensioned drawing 1919.SPP.M



Material: TPE
 Properties: Halogen-free, silicone-free
 Flammability: Self-extinguishing in accordance with UL 94 V-0
 Operating temperature: -40 °C / +110 °C

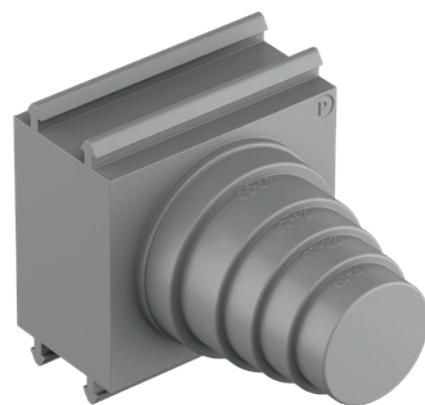


A mm	B mm	C mm	Art.-No.	
23.8	26.2	25.0	1919.SPP.M4.G	10
23.8	26.2	25.0	1919.SPP.M4B.G	10

1919.SPP.P – small pyramid-shaped grommets, for cables of various diameters and without pre-fitted connectors

Grommets of the 1919.SPP.P series are suitable for use with cables without connectors. The cone is cut at the level corresponding to the diameter range within which the cable diameter falls. The cable can be additionally secured using a cable tie.

- Universal solution for cables without connectors, with cable diameter 2 to 14 mm
- Can be used in all 191x-series frames
- Colour: Grey
- UL 94 V-0

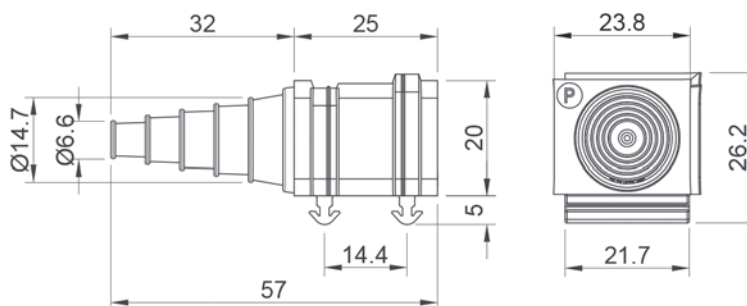


Further information

Dimensioned drawing 1919.SPP.P

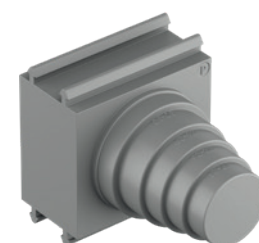


Product image



Material: TPE
 Properties: Halogen-free, silicone-free
 Flammability: Self-extinguishing in accordance with UL 94 V-0
 Operating temperature: -40 °C / +110 °C

	Ø	Ø	A	B	C	Art.-No.	
	min mm	max mm	mm	mm	mm		
1	3.0	14.0	23.8	26.2	14.4	1919.SPP.PG	10
1	3.0	14.0	23.8	26.2	14.4	1919.SPP.PGT	10





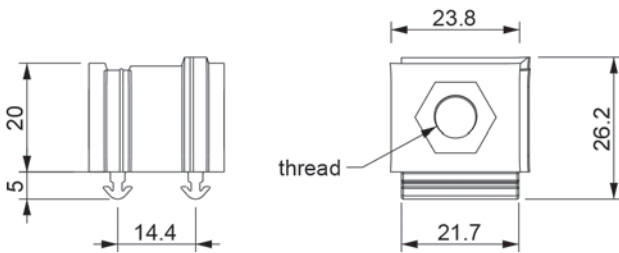
1919.SPP.F – small cable grommets with threaded inserts

The 1919.SPP.F series features metric threaded inserts, allowing quick-attach pneumatic connectors or M8 to M16 connectors to be attached directly to the grommet. The optional plug-in system adds to the flexibility of the cable and pneumatic hose design.

- Small grommets with threaded inserts
- Connectors not included
- Colour: Grey

IP65 NEMA 12   

Dimensioned drawing 1919.SPP.F



Material: TPE, brass insert
 Properties: Halogen-free, silicone-free
 Flammability: Self-extinguishing in accordance with UL 94 V-0
 Operating temperature: -40 °C / +110 °C



I	A mm	B mm	C mm	Art.-No.	
M8 x 0.5	23.8	26.2	25.0	1919.SPP.F8G	10
M12 x 1.0	23.8	26.2	25.0	1919.SPP.F12.G	10
M16 x 1.5	23.8	26.2	25.0	1919.SPP.F16.G	1

1919.SPP.VENT – small cable grommets with pressure balance valve

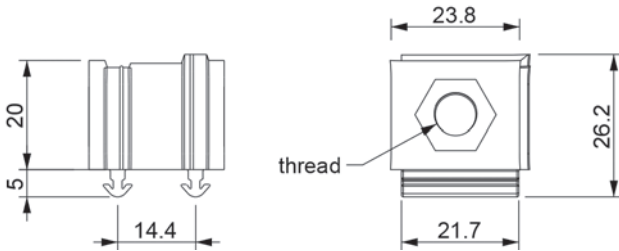
1919.SPP.VENT is a pressure-compensating grommet that may be recommended for installations where pressure differences must be avoided. The pressure relief grommet is installed in a 191x-series frame and, thanks to its valve, equalises the pressure on each side, preventing temperature differences and condensation. The vent-type element has an M12x1.5 thread and may be removed to facilitate the use of threaded connectors and sensors.

- Quick installation
- Metric thread size M12
- Colour: Grey




IP65   

Dimensioned drawing 1919.SPP.VENT



Material: TPE, brass insert
 Properties: Halogen-free, silicone-free
 Flammability: Self-extinguishing in accordance with UL 94 V-0
 Operating temperature: -40 °C / +110 °C

I	A mm	B mm	C mm	Art.-No.	
M12 x 1	23.8	26.2	32.0	1919.SPP.VENT.G	1



1919.SPG – large cable grommets



1919.SPG-series cable grommets, installed in 191x-series split frames, facilitate the routing of cables with a diameter of 17 to 35 mm.

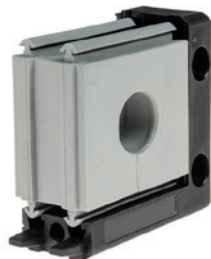
- Universal solution for cables of diameter 17 to 35 mm
- Blanking-type cable grommets available
- Colour: Grey
- UL 94 V-0
- Splittable grommets



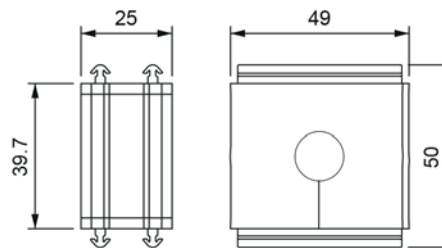
Further information



Product images




Dimensioned drawing 1919.SPG



Material: TPE
 Properties: Halogen-free, silicone-free
 Flammability: Self-extinguishing in accordance with UL 94 V-0
 Operating temperature: -40 °C / +110 °C

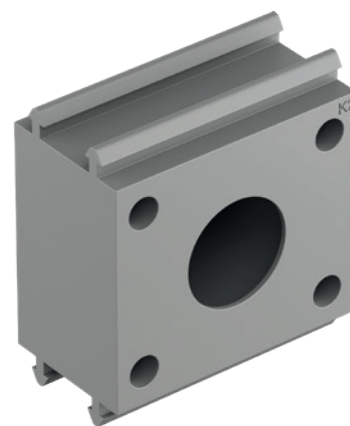


Ø	Ø min mm	Ø max mm	A mm	B mm	C mm	Art.-No.	
0	-	-	49.0	50.0	25.0	1919.SPG.0.G	10
1x	17.0	18.0	49.0	50.0	25.0	1919.SPG.17.G	10
1x	18.0	19.0	49.0	50.0	25.0	1919.SPG.18.G	10
1x	19.0	20.0	49.0	50.0	25.0	1919.SPG.19.G	10
1x	20.0	21.0	49.0	50.0	25.0	1919.SPG.20.G	10
1x	21.0	22.0	49.0	50.0	25.0	1919.SPG.21.G	10
1x	22.0	23.0	49.0	50.0	25.0	1919.SPG.22.G	10
1x	23.0	24.0	49.0	50.0	25.0	1919.SPG.23.G	10
1x	24.0	25.0	49.0	50.0	25.0	1919.SPG.24.G	10
1x	25.0	26.0	49.0	50.0	25.0	1919.SPG.25.G	10
1x	26.0	27.0	49.0	50.0	25.0	1919.SPG.26.G	10
1x	27.0	28.0	49.0	50.0	25.0	1919.SPG.27.G	10
1x	28.0	29.0	49.0	50.0	25.0	1919.SPG.28.G	10
1x	29.0	30.0	49.0	50.0	25.0	1919.SPG.29.G	10
1x	30.0	31.0	49.0	50.0	25.0	1919.SPG.30.G	10
1x	31.0	32.0	49.0	50.0	25.0	1919.SPG.31.G	10
1x	32.0	33.0	49.0	50.0	25.0	1919.SPG.32.G	10
1x	33.0	34.0	49.0	50.0	25.0	1919.SPG.33.G	10
1x	34.0	35.0	49.0	50.0	25.0	1919.SPG.34.G	10

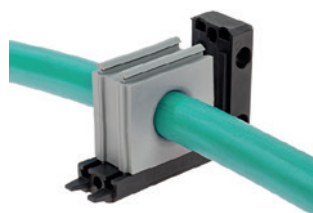
1919.SPG.K – large cable grommets with extra flexibility in terms of cable diameter, for cables without pre-fitted connectors

1919.SPG.K-series grommets for single cables offer extra flexibility in terms of cable diameter. Installed in 191x-series split frames, they facilitate the feedthrough of cables without pre-fitted connectors, for cables up to 30 mm in diameter (K1, K2, K3). Thanks to their double membrane, protection class IP 66 is achieved.

- K1, K2 and K3 for single cables of diameter 16 to 30 mm
- Blanking-type cable grommets available
- Colour: Grey
- UL 94 V-0

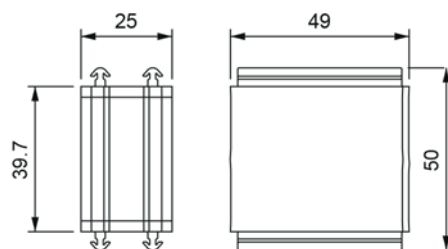


Further information



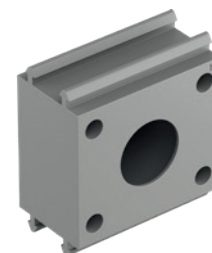
Product image

Dimensioned drawing 1919.SPG.K



Material:	TPE
Properties:	Halogen-free, silicone-free
Flammability:	Self-extinguishing in accordance with UL 94 V-0
Operating temperature:	-40 °C / +110 °C

Ø	Ø min mm	Ø max mm	A mm	B mm	C mm	Art.-No.	
0x	0.0	32.0	49.0	50.0	25.0	1919.SPG.K0.G	10
1x	16.0	22.0	49.0	50.0	25.0	1919.SPG.K1.G	10
1x	23.0	26.0	49.0	50.0	25.0	1919.SPG.K2.G	10
1x	26.0	30.0	49.0	50.0	25.0	1919.SPG.K3.G	10





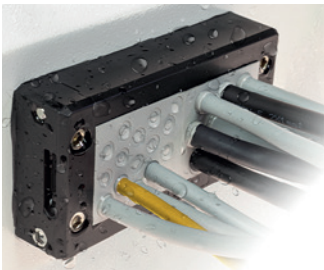
1919.SPG.M – large “membrane field” grommets

1919.SPG.M-series cable grommets, installed in 1910-series split frames, facilitate the feedthrough of a large number of cables without connectors. Each cable is simply pushed through the front membrane, and the second membrane enhances strain relief and IP protection.

- Membrane-type grommets for cables without connectors
- May be used by numerous cables
- Colour: Grey
- UL 94 V-0
- Strain relief in accordance with EN 62444

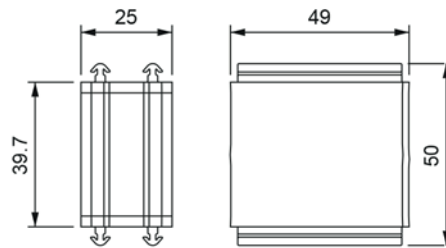


Further information



Product image

Dimensioned drawing 1919.SPG.M



1919.SPG.M7.G	1919.SPG.M9.G	1919.SPG.M14.G	1919.SPG.M15.G
$>\varnothing<$	$>\varnothing<$	$>\varnothing<$	$>\varnothing<$
1x 9.5	9x 8.0	12x 6.5	15x 7.0
2x 5.0		2x 12.0	
4x 13.5			

Material: TPE
 Properties: Halogen-free, silicone-free
 Flammability: Self-extinguishing in accordance with UL 94 V-0
 Operating temperature: -40 °C / +110 °C

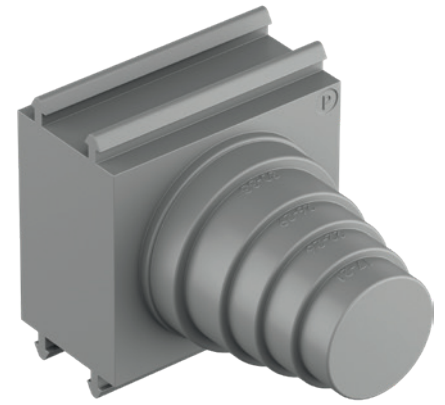


A mm	B mm	C mm	Art.-No.	
49.0	50.0	25.0	1919.SPG.M7.G	10
49.0	50.0	25.0	1919.SPG.M9.G	10
49.0	50.0	25.0	1919.SPG.M14.G	10
49.0	50.0	25.0	1919.SPG.M15.G	10

1919.SPG.P – large pyramid-shaped grommets, for cables of various diameters and without pre-fitted connectors

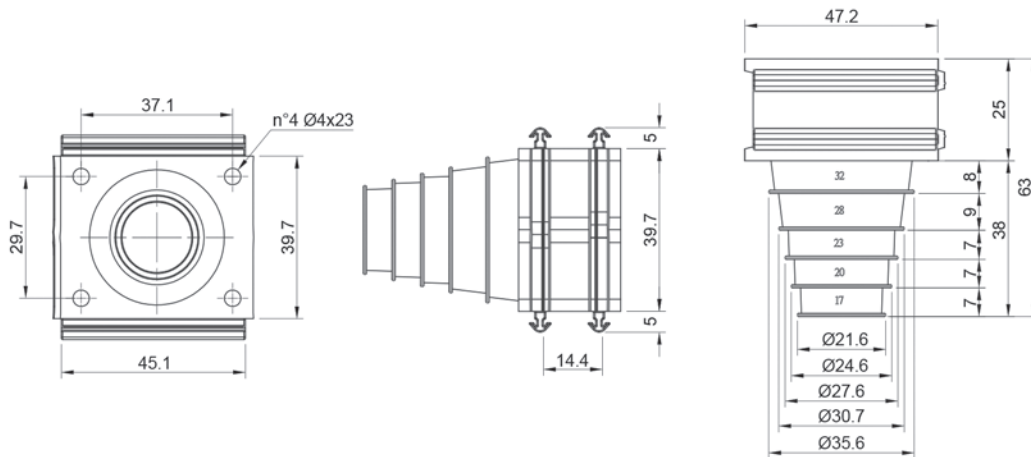
Grommets of the 1919.SPG.P series are suitable for cables without connectors. The cone is cut at the level corresponding to the cable diameter. The cable can be additionally secured using a cable tie.

- Universal solution for cables without connectors, with cable diameter 17 to 33 mm
- Blanking-type cable grommets available
- Can be used in all 191x-series frames
- Colour: Grey
- UL 94 V-0





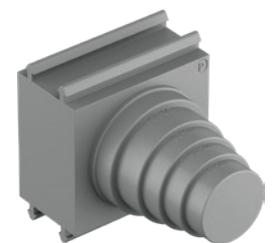
IP66 NEMA 12, 4X EN 45545-2 HL 3   

Dimensioned drawing 1919.SPG.P



Material: TPE
 Properties: Halogen-free, silicone-free
 Flammability: Self-extinguishing in accordance with UL 94 V-0
 Operating temperature: -40 °C / +110 °C

	Ø min mm	Ø max mm	A mm	B mm	C mm	Art.-No.	
1x	17.0	33.0	45.1	39.7	14.4	1919.SPG.PG	10





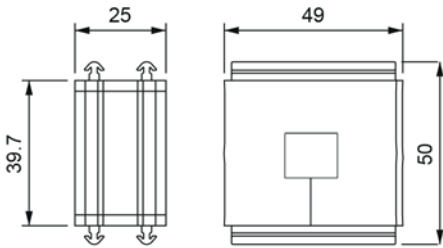
1919.SPG.Y – Adapter grommets, large to small

1919.SPG.Y-series grommets are large grommets that facilitate the installation of a single smaller grommet. They are used to eliminate the need for blanking-type grommets or to reduce the number of grommets used.

- Adapter enabling a small grommet to be placed in a larger space
- UL 94 V-0
- Splittable
- Colour: Grey


IP54 **NEMA 12, 4X** **EN 45545-2 HL 3** **UL94 V0** **UL TYPE 12, 4X** **RoHS COMPLIANT**

Dimensioned drawing 1919 SPG.Y



Material: TPE
 Properties: Halogen-free, silicone-free
 Flammability: Self-extinguishing in accordance with UL 94 V-0
 Operating temperature: -40 °C / +120 °C

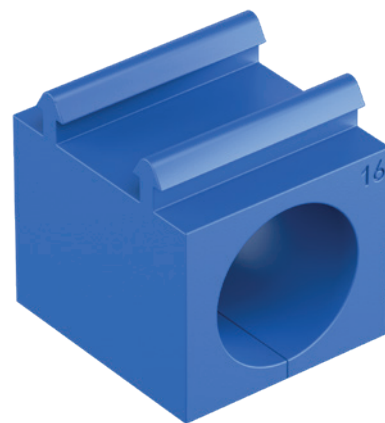


A mm	B mm	C mm	Art.-No.	
49.0	50.0	25.0	1919.SPG.Y.G	10

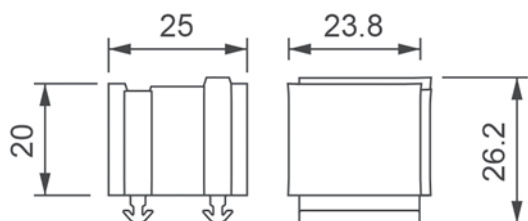
1919.SPP.C – small cable grommets for hygienic applications

1919.SPP.C-series cable grommets allow cables with a diameter of 2 to 17 mm to be routed through split frames of the 1915 series. The 2X and 4X versions allow multiple cables to be routed through the same grommet.

- Blanking-type cable grommets available
- FDA-certified material
- Colour: Blue
- UL 94 HB
- Splittable grommets



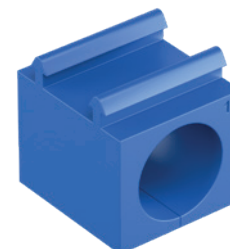
Dimensioned drawing 1919.SPP.C



Material: TPE, certified in accordance with FDA 21 CFR 177.2600
 Properties: Halogen-free, silicone-free
 Flammability: UL 94 HB
 Operating temperature: -40 °C / +80 °C

- Universal solution for cables of diameter 2 to 17 mm

	Ø min mm	Ø max mm	A mm	B mm	C mm	Art.-No.	
0x	-	-	23.8	26.2	25.0	1919.SPP.0.C	10
1x	2.0	3.0	23.8	26.2	25.0	1919.SPP.2.C	10
1x	16.0	17.0	23.8	26.2	25.0	1919.SPP.16.C	10



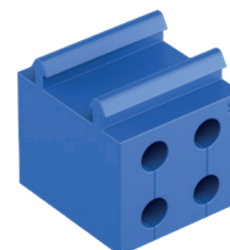
- Universal solution for cables of diameter 2 to 8 mm

	Ø mm	A mm	B mm	C mm	Art.-No.	
2x	2.0	23.8	26.2	25.0	1919.SPP.2X2.C	10
2x	3.0	23.8	26.2	25.0	1919.SPP.2X3.C	10
2x	4.0	23.8	26.2	25.0	1919.SPP.2X4.C	10
2x	5.0	23.8	26.2	25.0	1919.SPP.2X5.C	10
2x	6.0	23.8	26.2	25.0	1919.SPP.2X6.C	10
2x	7.0	23.8	26.2	25.0	1919.SPP.2X7.C	10
2x	8.0	23.8	26.2	25.0	1919.SPP.2X8.C	10



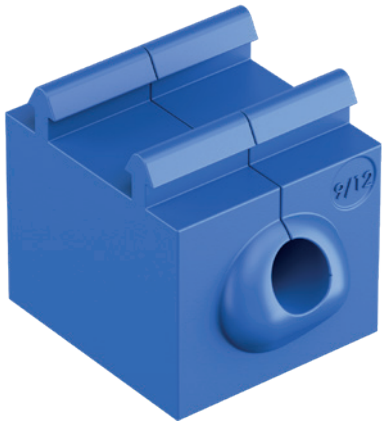
- Universal solution for cables of diameter 2 to 6 mm

	Ø mm	A mm	B mm	C mm	Art.-No.	
4x	2.0	23.8	26.2	25.0	1919.SPP.4X2.C	10
4x	3.0	23.8	26.2	25.0	1919.SPP.4X3.C	10
4x	4.0	23.8	26.2	25.0	1919.SPP.4X4.C	10
4x	5.0	23.8	26.2	25.0	1919.SPP.4X5.C	10
4x	6.0	23.8	26.2	25.0	1919.SPP.4X6.C	10



Subject to modifications.





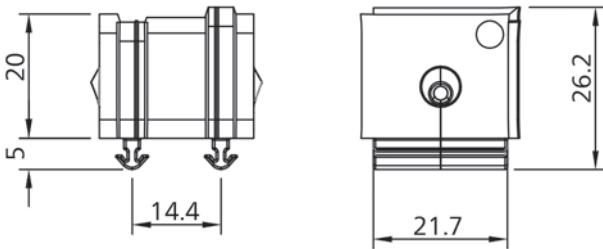
1919.SPP.R.C – small cable grommets with extra flexibility in terms of cable diameter, for hygienic applications

1919.SPP.R.C-series cable grommets allow cables with a diameter of 3 to 15 mm to be routed through split frames of the 1915 series.

- FDA-certified material
- Colour: Blue
- UL 94 HB
- Splittable grommets



IP66 **FDA** **UL94-HB** **RoHS**
COMPLIANT COMPLIANT COMPLIANT

Dimensioned drawing 1919.SPP.R.C



Material: TPE, certified in accordance with FDA 21 CFR 177.2600
 Properties: Halogen-free, silicone-free
 Flammability: UL 94 HB
 Operating temperature: -40 °C / +80 °C

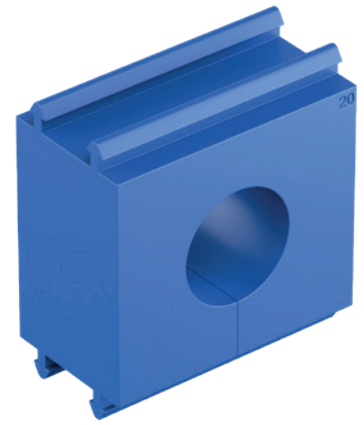


		∅	∅	A	B	C	Art.-No.	
	min mm	max mm	mm	mm	mm			
1x	3.0	6.0	24.1	26.2	25.0		1919.SPP.R1.C	10
1x	6.0	9.0	24.1	26.2	25.0		1919.SPP.R2.C	10
1x	9.0	12.0	24.1	26.2	25.0		1919.SPP.R3.C	10
1x	12.0	15.0	24.1	26.2	25.0		1919.SPP.R4.C	10

1919.SPG.C – large cable grommets for hygienic applications

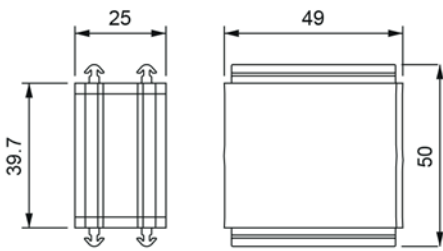
1919.SPG.C-series cable grommets allow cables with a diameter of 18 to 35 mm to be routed through split frames of the 1915 series.

- Grommets for cables of diameter 18 to 35 mm
- Blanking-type cable grommets available
- FDA-certified material
- Colour: Blue
- Splittable grommets





IP66 **FDA** **UL94-HB** **RoHS**
COMPLIANT COMPLIANT COMPLIANT

Dimensioned drawing 1919.SPG.C



Material: TPE, certified in accordance with FDA 21 CFR 177.2600
 Properties: Halogen-free, silicone-free
 Flammability: UL 94 HB
 Operating temperature: -40 °C / +80 °C

	∅	∅	A	B	C	Art.-No.	
	min mm	max mm	mm	mm	mm		
0x	-	-	49.0	50.0	25.0	1919.SPG.0.C	10
1x	18.0	19.0	49.0	50.0	25.0	1919.SPG.18.C	10
1x	19.0	20.0	49.0	50.0	25.0	1919.SPG.19.C	10
1x	20.0	21.0	49.0	50.0	25.0	1919.SPG.20.C	10
1x	21.0	22.0	49.0	50.0	25.0	1919.SPG.21.C	10
1x	22.0	23.0	49.0	50.0	25.0	1919.SPG.22.C	10
1x	23.0	24.0	49.0	50.0	25.0	1919.SPG.23.C	10
1x	24.0	25.0	49.0	50.0	25.0	1919.SPG.24.C	10
1x	25.0	26.0	49.0	50.0	25.0	1919.SPG.25.C	10
1x	26.0	27.0	49.0	50.0	25.0	1919.SPG.26.C	10
1x	27.0	28.0	49.0	50.0	25.0	1919.SPG.27.C	10
1x	28.0	29.0	49.0	50.0	25.0	1919.SPG.28.C	10
1x	29.0	30.0	49.0	50.0	25.0	1919.SPG.29.C	10
1x	30.0	31.0	49.0	50.0	25.0	1919.SPG.30.C	10
1x	31.0	32.0	49.0	50.0	25.0	1919.SPG.31.C	10
1x	32.0	33.0	49.0	50.0	25.0	1919.SPG.32.C	10
1x	33.0	34.0	49.0	50.0	25.0	1919.SPG.33.C	10
1x	34.0	35.0	49.0	50.0	25.0	1919.SPG.34.C	10



1920.CLICK series with splittable frames for cables with or without connectors



The splittable frames of the 1920.CLICK series accommodate up to 40 cables with or without connectors, with diameters from 2 to 31 mm. The frame is closed using two clamps at the sides. Despite the lack of screws, the mechanical sealing of the cables is perfect. The frame accommodates up to 10 small grommets, or 1 large and 6 small grommets.

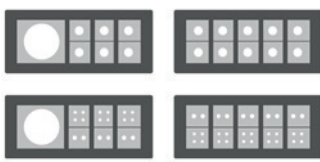
- For small and large grommets (same frame)
- Click-closure (without screws)
- High pull-out forces in accordance with EN 62444
- Compact design
- Colour: Black
- Includes separate gasket
- Version with threaded inserts available on request



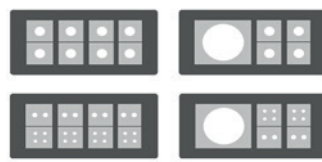
Accessories

Grommets of series 1929.SPC | Grommets of series 1929.SPL | Click-on covers of series 1920.FLAP | Inserts 1950.ISP | Mounting bolts 1950.Vx

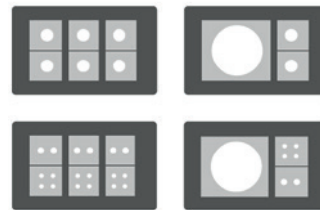
Further information



Possible configurations for 1920.24.CLICK



Possible configurations for 1920.16.CLICK



Possible configurations for 1920.10.CLICK

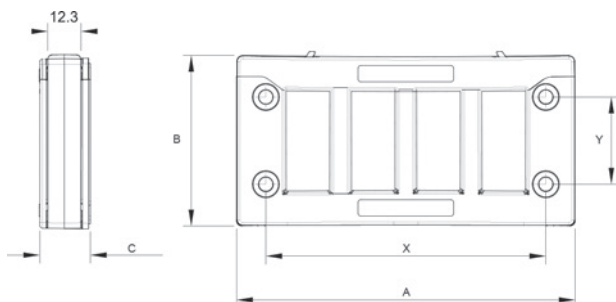


Possible configurations for 1920.Q.CLICK




Product images

Dimensioned drawing 1920.xx.CLICK



1920.CLICK series with splittable frames for cables with or without connectors

Material: PC + GF
 Properties: Halogen-free, silicone-free
 Flammability: Self-extinguishing in accordance with UL 94 V-0
 Operating temperature: -40 °C / +155 °C

A mm	B mm	C mm	X mm	Y mm	>□< mm	Art.-No.	
148.6	62.6	18.6	130	32	112x36	1920.24.CLICK	10
124.6	62.6	18.6	103	32	86x36	1920.16.CLICK	10
100.6	62.6	18.6	83	32	63x36	1920.10.CLICK	10
76.6	62.6	18.6	58	32	40x36	1920.Q.CLICK	10

Available on request:
 Set of 4 fixing screws of stainless steel (AISI 304) with black Dacromet coating



1

2

3

4

5

6

7

8

9

10

11

FLAP-CLICK covers for 1920-series frames

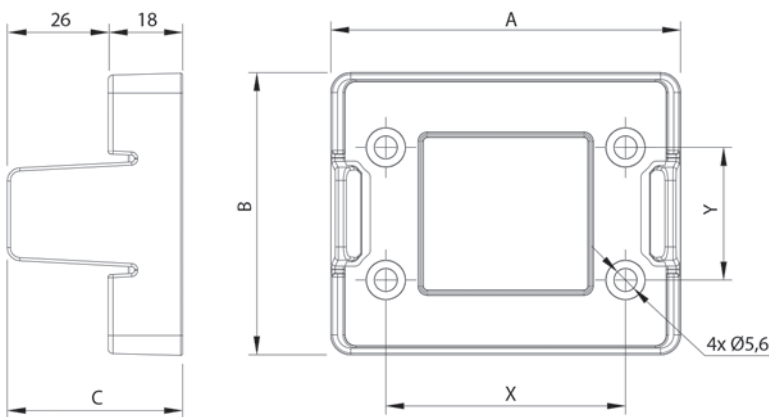


The 1920.FLAP-CLICK series of click-on covers can be easily mounted onto matching frames of the types 1920.24.CLICK, 1920.16.CLICK, 1920.10.CLICK and 1920.Q.CLICK, making them particularly suitable where installation should be quick and straightforward.

- Quick installation for the 1920.CLICK series
- Self-extinguishing (V0) coating included
- Colour: Black




Dimensioned drawing 1920.FLAP.xx.CL



Material: PC + GF
 Properties: Halogen-free, silicone-free
 Flammability: Self-extinguishing in accordance with UL 94 V-0
 Operating temperature: -40 °C / +155 °C

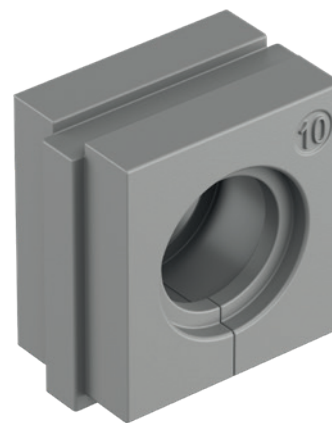


A mm	B mm	C mm	X mm	Y mm	>□< mm	Art.-No.	
156.6	68.1	42.4	130.0	32.0	112x36	1920.FLAP.24.CL	10
132.6	68.1	42.4	103.0	32.0	86x36	1920.FLAP.16.CL	10
109.0	68.1	42.4	83.0	32.0	63x36	1920.FLAP.10.CL	10
84.6	68.1	42.4	58.0	32.0	40x36	1920.FLAP.Q.CL	10

1929.SPC – small cable grommets: single, double or quadruple

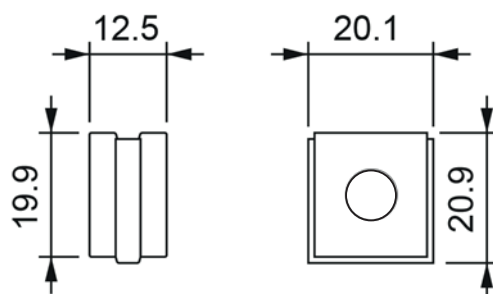
1929.SPC-series cable grommets allow cables with a diameter of 2 to 15 mm to be routed through split frames of the 1920 and 1925 series. The 2X and 4X versions allow multiple cables to be routed through the same grommet.

- Blanking-type cable grommets available
- UL 94 V-0
- Splittable grommets
- Colour: Grey



Further information

Dimensioned drawing 1929.SPC

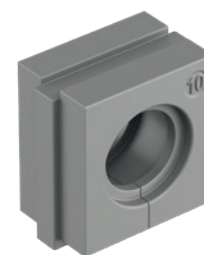


Product image

Material: TPE
 Properties: Halogen-free, silicone-free
 Flammability: Self-extinguishing in accordance with UL 94 V-0
 Operating temperature: -40 °C / +110 °C

- Universal solution for cables of diameter 2 to 15 mm

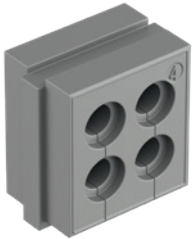
	Ø	Ø	A	B	C	Art.-No.	
	min mm	max mm	mm	mm	mm		
0x	-	-	20.1	20.9	12.5	1929.SPC.0.G	10
1x	2.0	3.0	20.1	20.9	12.5	1929.SPC.2.G	10
1x	3.0	4.0	20.1	20.9	12.5	1929.SPC.3.G	10
1x	4.0	5.0	20.1	20.9	12.5	1929.SPC.4.G	10
1x	5.0	6.0	20.1	20.9	12.5	1929.SPC.5.G	10
1x	6.0	7.0	20.1	20.9	12.5	1929.SPC.6.G	10
1x	7.0	8.0	20.1	20.9	12.5	1929.SPC.7.G	10
1x	8.0	9.0	20.1	20.9	12.5	1929.SPC.8.G	10
1x	9.0	10.0	20.1	20.9	12.5	1929.SPC.9.G	10
1x	10.0	11.0	20.1	20.9	12.5	1929.SPC.10.G	10
1x	11.0	12.0	20.1	20.9	12.5	1929.SPC.11.G	10
1x	12.0	13.0	20.1	20.9	12.5	1929.SPC.12.G	10
1x	13.0	14.0	20.1	20.9	12.5	1929.SPC.13.G	10
1x	14.0	15.0	20.1	20.9	12.5	1929.SPC.14.G	10





- Universal solution for 2 cables of diameter 2 to 7 mm

	Ø mm	A mm	B mm	C mm	Art.-No.	
2x	2.0	20.1	20.9	12.5	1929.SPC.2X2.G	10
2x	3.0	20.1	20.9	12.5	1929.SPC.2X3.G	10
2x	4.0	20.1	20.9	12.5	1929.SPC.2X4.G	10
2x	5.0	20.1	20.9	12.5	1929.SPC.2X5.G	10
2x	6.0	20.1	20.9	12.5	1929.SPC.2X6.G	10
2x	7.0	20.1	20.9	12.5	1929.SPC.2X7.G	10



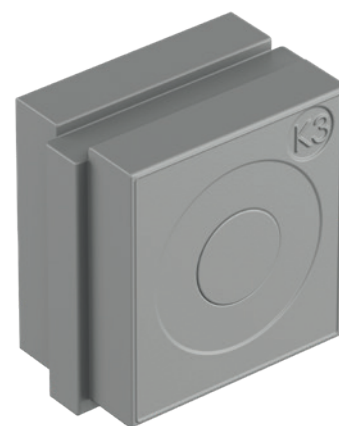
- Universal solution for 4 cables of diameter 2 to 6 mm

	Ø mm	A mm	B mm	C mm	Art.-No.	
4x	2.0	20.1	20.9	12.5	1929.SPC.4X2.G	10
4x	3.0	20.1	20.9	12.5	1929.SPC.4X3.G	10
4x	4.0	20.1	20.9	12.5	1929.SPC.4X4.G	10
4x	4.5	20.1	20.9	12.5	1929.SPC.4X4.5.G	10
4x	5.0	20.1	20.9	12.5	1929.SPC.4X5.G	10
4x	6.0	20.1	20.9	12.5	1929.SPC.4X6.G	10

1929.SPC.K – small cable grommets with extra flexibility in terms of cable diameter, for cables without pre-fitted connectors

1929.SPC.K grommets have a dual function: They can be installed to serve initially as blanking grommets that can later accommodate the feedthrough of a single cable without a pre-fitted connector, or they can already accommodate such a feedthrough when installed. The model is available in four versions, depending on the cable diameter (from 2.5 to 14 mm). The double membrane ensures excellent protection against water and dust while also enhancing strain relief.

- Small grommets for cable diameters up to 14 mm
- Can be used in all frames of the 1920 series
- UL 94 V-0
- Colour: Grey

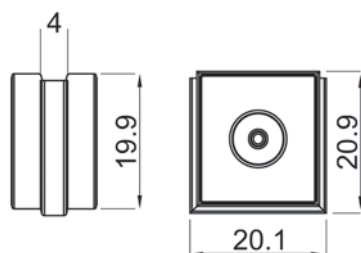


Further information





Product image

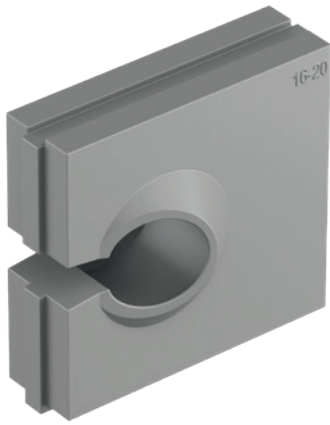
Dimensioned drawing 1929.SPC.K



Material:	TPE
Properties:	Halogen-free, silicone-free
Flammability:	Self-extinguishing in accordance with UL 94 V-0
Operating temperature:	-40 °C / +110 °C

	Ø max mm	A mm	B mm	C mm	Art.-No.	
1x	8.0	20.1	20.9	19.9	1929.SPC.K1.G	10
1x	11.0	20.1	20.9	19.9	1929.SPC.K2.G	10
1x	13.0	20.1	20.9	19.9	1929.SPC.K3.G	10
1x	14.0	20.1	20.9	19.9	1929.SPC.K4.G	10





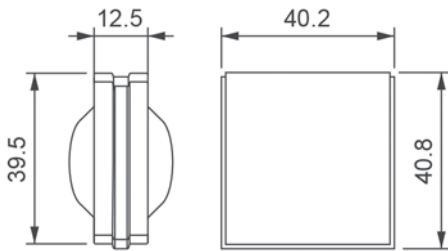
1929.SPL – large cable grommets

Grommets of the 1929.SPL series allow cables of diameter 11.5 to 31 mm to be routed through split frames of the 1920.CLICK series.

- Large grommets for cable diameters from 11.5 to 31 mm
- Can be used in 1920.CLICK frames
- Blanking-type cable grommets available
- UL 94 V-0
- Colour: Grey
- Splittable grommets



Dimensioned drawing 1929.SPL



Material:	TPE
Properties:	Halogen-free, silicone-free
Flammability:	Self-extinguishing in accordance with UL 94 V-0
Operating temperature:	-40 °C / +110 °C



Ø	Ø min mm	Ø max mm	A mm	B mm	C mm	Art.-No.	
0x	-	-	40.2	40.8	12.5	1929.SPL.0.G	10
1x	11.5	16.0	40.2	40.8	12.5	1929.SPL.13.G	10
1x	16.0	20.0	40.2	40.8	12.5	1929.SPL.17.G	10
1x	20.0	24.0	40.2	40.8	12.5	1929.SPL.21.G	10
1x	24.0	28.0	40.2	40.8	12.5	1929.SPL.25.G	10
1x	28.0	31.0	40.2	40.8	12.5	1929.SPL.29.G	10

1929.SPL.M – large “membrane field” grommets

Grommets of the 1929.SPL.M series allow for the passage of a large number of cables without connectors through split 1920.CLICK-series frames, with a space-saving design. After the front membrane has been lightly perforated, an appropriately sized cable is pushed through. A second membrane ensures a perfect mechanical and fluid seal.

- Can accommodate numerous cables without connectors
- UL 94 V-0
- Strain relief in accordance with EN 62444
- Colour: Grey

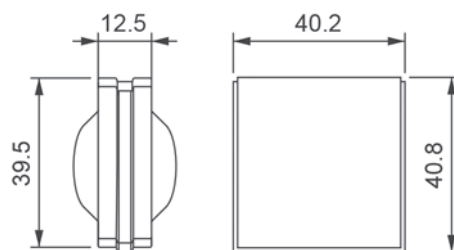


Further information



Product image

Dimensioned drawing 1929.SPL.M



Material: TPE
 Properties: Halogen-free, silicone-free
 Flammability: Self-extinguishing in accordance with UL 94 V-0
 Operating temperature: -40 °C / +110 °C

	Ø	Ø	A	B	C	Art.-No.	
	min mm	max mm	mm	mm	mm		
4x	11	16	40.2	40.8	12.5	1929.SPL.M4.G	10
8x	6	10	40.2	40.8	12.5	1929.SPL.M8.G	10
13x	4.5	6.5	40.2	40.8	12.5	1929.SPL.M13.G	10





1930.380M-series splittable frames for large cables or corrugated conduits

The 1930.380M-series splittable frame is a modular solution for the entry of large cables and conduits into control cabinets or machines. The system allows for the quick securing of cables or conduits, of diameter 36 to 66 mm, at the entry point while also providing strain relief. It is the base unit for the modular 1930.380MX system which enables the number of cables accommodated to be increased.

- Quick and easy feedthrough solution for large cables and conduits
- Diameters from 36 to 65 mm
- Additional frames can be connected on all four sides
- Colour: Black
- Robust design (IK 10)
- No seal required
- Frame screws of AISI304 stainless steel



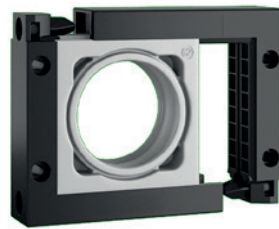
Accessories

Grommets of series 1939.SPH

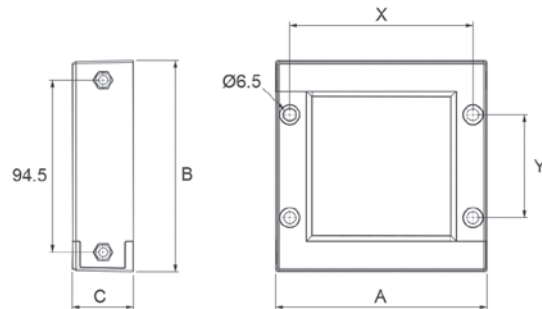
Further information



Product images



Dimensioned drawing 1930.380M



Material: PP + GF
 Properties: Halogen-free, silicone-free
 Flammability: Self-extinguishing in accordance with UL 94 V-0
 Operating temperature: -40 °C / +155 °C



A	B	C	X	Y	>□<	Art.-No.	
mm	mm	mm	mm	mm	mm		
116	116	33.5	100.5	56.5	72x72	1930.380M	1

1930.380MX-series splittable modular frames for large cables or corrugated conduits

Splittable frames of the 1930.380MX series are used for routing large-diameter cables and corrugated conduits through all types of control cabinets. The solution is modular and therefore easily expandable.

- Quick and easy feedthrough of large cables and corrugated conduits
- Modular system
- Diameters from 36 to 65 mm
- Horizontal or vertical installation
- Colour: Black
- No seal required
- Frame screws of AISI304 stainless steel



Accessories

Grommets of series 1939.SPH

Further information



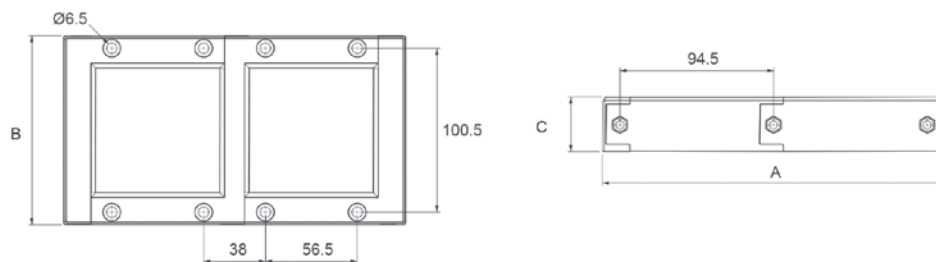
Application example



Product images



Dimensioned drawing 1930.380MX2



Material: PP + GF
 Properties: Halogen-free, silicone-free
 Flammability: Self-extinguishing in accordance with UL 94 V-0
 Operating temperature: -40 °C / +155 °C

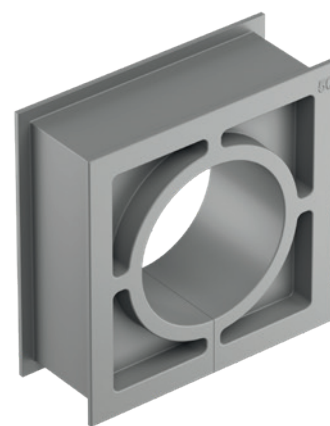
A mm	B mm	C mm	>□< mm	Art.-No.	
399.5	116	33.5	max. 355.5 x 72	1930.380MX4	1
305.0	116	33.5	max. 261.0 x 72	1930.380MX3	1
210.5	116	33.5	max. 166,5 x 72	1930.380MX2	1



1939.SPH-series cable grommets

Grommets of the 1939.SPH series accommodate cables of diameter 36 to 65 mm in the split frames of the 1930.380M and 1930.380MX series.

- Grommets for cables or large corrugated conduits
- Diameters from 36 to 65 mm
- UL 94 V-0
- Colour: Grey
- Splittable grommets



Further information

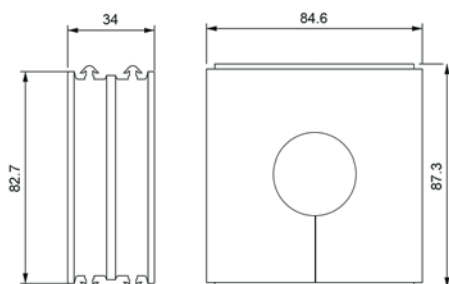


Application example



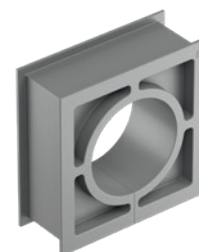
Product image

Dimensioned drawing 1939.SPH



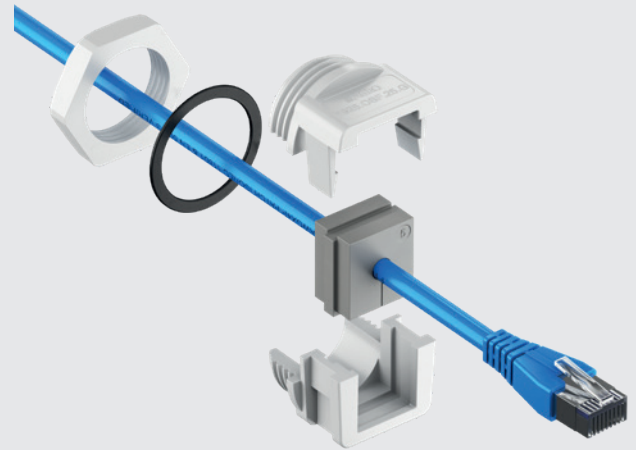
Material: TPE
 Properties: Halogen-free, silicone-free
 Flammability: Self-extinguishing in accordance with UL 94 V-0
 Operating temperature: -40 °C / +110 °C

	∅ min mm	∅ max mm	A mm	B mm	C mm	Art.-No.	
0x	-	-	84.6	87.3	34.0	1939.SPH.0.G	1
1x	36.0	39.0	84.6	87.3	34.0	1939.SPH.38.G	1
1x	41.0	44.0	84.6	87.3	34.0	1939.SPH.42.G	1
1x	43.0	48.0	84.6	87.3	34.0	1939.SPH.46.G	1
1x	47.0	51.0	84.6	87.3	34.0	1939.SPH.50.G	1
1x	52.0	56.0	84.6	87.3	34.0	1939.SPH.54.G	1
1x	56.0	60.0	84.6	87.3	34.0	1939.SPH.58.G	1
1x	60.0	65.0	84.6	87.3	34.0	1939.SPH.62.G	1



1925.OSF Splittable cable gland

- Quick assembly, no screws required
- Versions with or without locknuts, or with 90° cable entry
- Metric threads: M16, M20, M25, M32, M40, M50, M63
- Protection class IP54
- For 1929.SPC and 1929.SPL sealing inserts



1

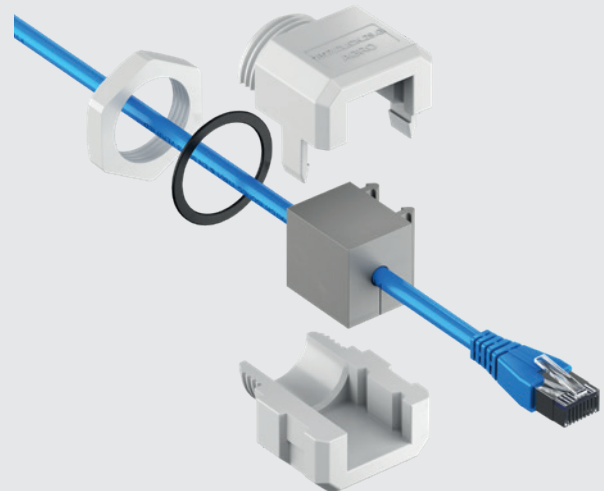
2

3

4

1917.CLICK Splittable cable gland

- Quick installation, no screws required
- With locknut
- Metric threads: M20, M25, M32, M50
- Protection class IP54
- For 1919.SPP and 1919.SPG sealing inserts



5

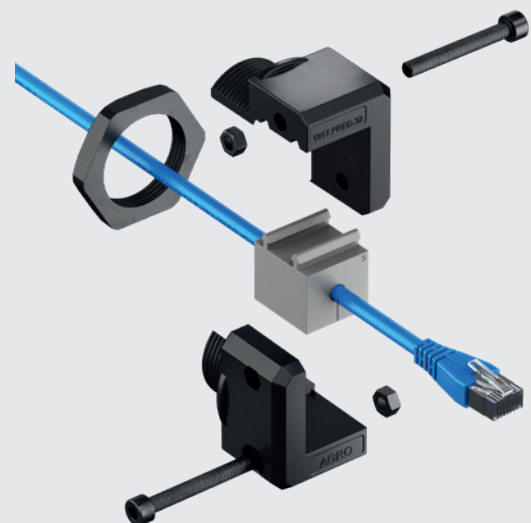
6

7

8

1917.PRED Splittable cable gland

- Assembly using stainless steel screws
- With locknut
- Metric threads: M25, M32, M63
- Protection class IP66
- For 1919.SPP and 1919.SPG sealing inserts



9

10

11



Splittable cable glands: 1917.CLICK series

The 1917.CLICK-series cable gland is a metric, splittable system for cables with or without connectors. Suitable for single or multiple cable grommets with a diameter of 2 to 16 mm.

- Click-closure (without screws)
- Metric thread sizes M20, M25 and M32
- High pull-out forces in accordance with EN 62444
- Robust design (IK 10)
- Colour: Grey
- Locknut and seal included



Accessories




Grommets: 1919.SPP series | Inserts: 1950.ISP | Splittable locknuts: 1950.DDMx

Further information

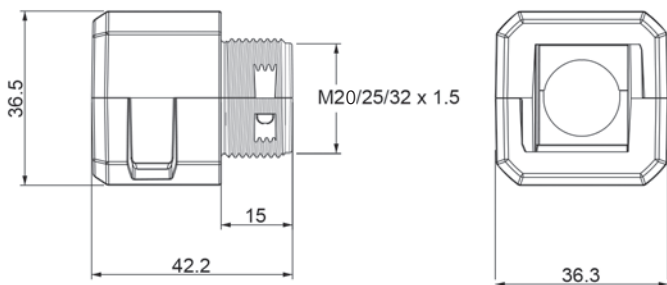


Product images

Maximum grommet sizes

			
1917.CLICK.20	1919.SPP.12	1919.SPP.2X5	1919.SPP.4X2
1917.CLICK.25	1919.SPP.16	1919.SPP.2X6	1919.SPP.4X4
1917.CLICK.32	1919.SPP.16	1919.SPP.2X7	1919.SPP.4X6

Dimensioned drawing 1917.CLICK



Material: PC
 Properties: Halogen-free, silicone-free
 Flammability: Self-extinguishing in accordance with UL 94 V-0
 Operating temperature: -40 °C / +130 °C

A mm	B mm	C mm	G	>□< mm	Art.-No.	
36.3	36.5	42.2	M20	20.5	1917.CLICK.20.G	10
36.3	36.5	42.2	M25	25.5	1917.CLICK.25.G	10
36.3	36.5	42.2	M32	32.5	1917.CLICK.32.G	10



1

2

3

4

5

6

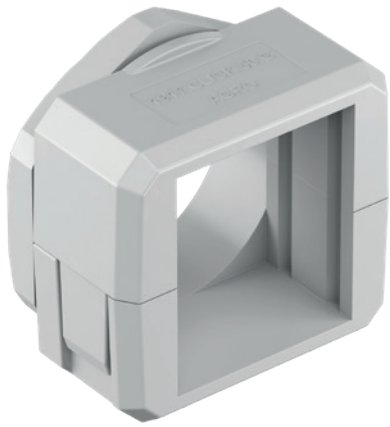
7

8

9

10

11



Splittable cable glands: 1917.CLICK.50 series

1917.CLICK.50 is a splittable cable gland with an M50 thread. It includes an M50 locknut. It can be used with small, multiple, membrane-type and large grommets, for cables with or without connectors.

- Click-closure (without screws)
- Metric thread size M50
- High pull-out forces in accordance with EN 62444
- Robust design (IK 10)
- Colour: Grey
- Locknut and seal included



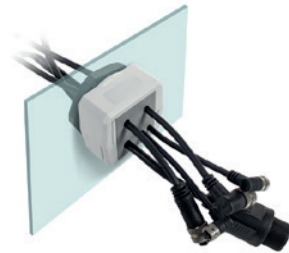
Accessories

Grommets: 1919.SPP series | Grommets: 1919.SPG series | Inserts: 1950.ISP | Splittable locknuts: 1950.DDMx

Further information



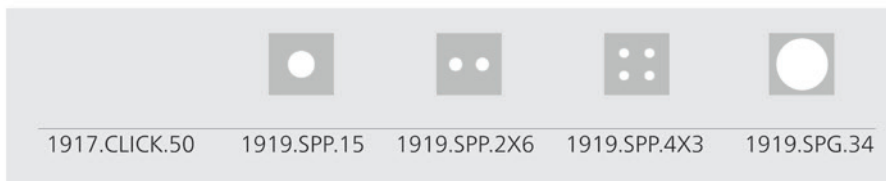
Possible configurations for
1917.CLICK.50



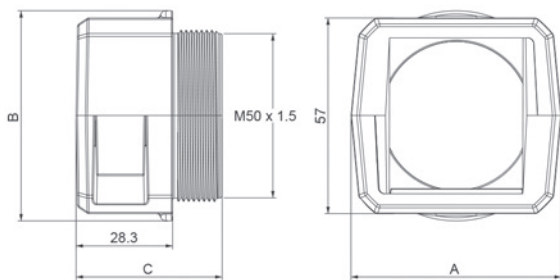
Product images




Maximum grommet sizes



Dimensioned drawing 1917.CLICK.50



Material: PC
 Properties: Halogen-free, silicone-free
 Flammability: Self-extinguishing in accordance with UL 94 V-0
 Operating temperature: -40 °C / +130 °C

A mm	B mm	C mm	G	>□< mm	Art.-No.	
61.5	61.3	42.8	M50	50.5	1917.CLICK.50.G	10



1

2

3

4

5

6

7

8

9

10

11



Splittable cable glands: 1917.PRED series

The 1917.PRED series are splittable cable glands with metric threads. The M63 model can be used with small, multiple or large grommets for cables with a diameter of up to 34 mm. Multi-grommets allow for up to 16 cables (M63). Future cable size changes can also be easily accommodated with different grommets.

- Frame screws of AISI304 stainless steel
- Metric thread sizes M25, M32 and M63
- Colour: Black
- Tested according to EN 62444
- Robust design (IK 10)



Accessories

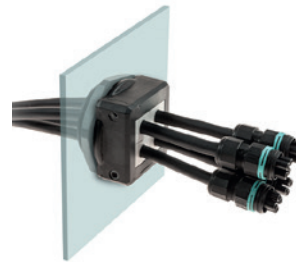
Grommets: 1919.SPP series | Grommets: 1919.SPG series | Inserts: 1950.ISP | Splittable locknuts: 1950.DDMx

Further information



Possible configurations for 1917.PRED.25 | 1917.PRED.32

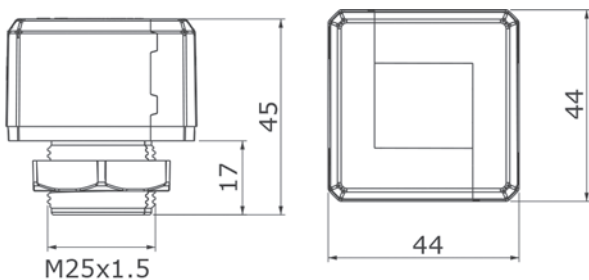
Possible configurations for 1917.PRED.63



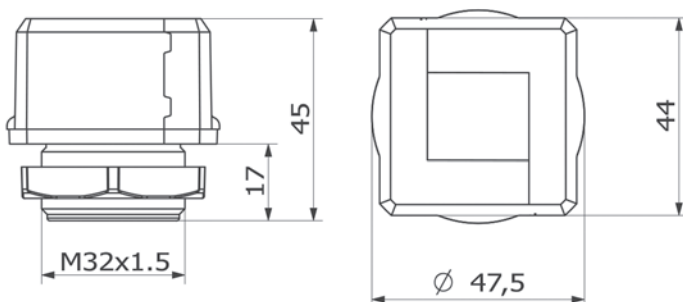
Product images



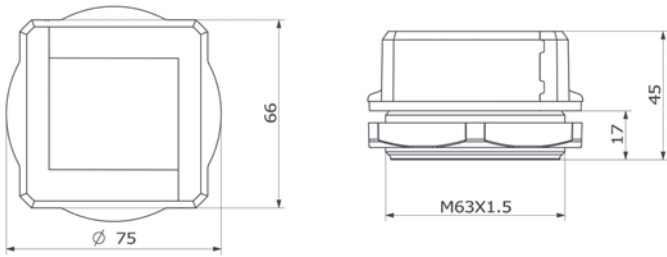
Dimensioned drawing 1917.PRED.25



Dimensioned drawing 1917.PRED.32



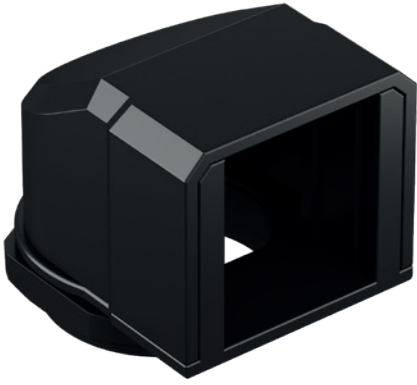
Dimensioned drawing 1917.PRED.63



Material: PP + GF
 Properties: Halogen-free, silicone-free
 Flammability: Self-extinguishing in accordance with UL 94 V-0
 Operating temperature: -40 °C / +155 °C

A mm	B mm	C mm	G mm	>□< mm	Art.-No.	
44.0	44	45	M25	25.5	1917.PRED.25	10
47.5	44	45	M32	32.5	1917.PRED.32	10
75.0	66	45	M63	63.5	1917.PRED.63	10





Splittable cable glands: 1917.PRED.5090 series with 90° angle

1917.PRED.5090 is a metric, splittable M50 cable gland with a 90° angle. It works with small, multi-holed and large grommets, for cables of diameter 2 to 17 mm. Use of the multi-holed grommets enables up to 16 cables to be accommodated. Large grommets are used for corrugated conduits.

- Click-closure (without screws)
- Metric thread size M50
- High pull-out forces in accordance with EN 62444
- Colour: Black
- Robust design (IK 10)



Accessories

Grommets: 1919.SPP series | Grommets: 1919.SPG series | Inserts: 1950.ISP | Splittable nuts: 1950.DDMx

Further information

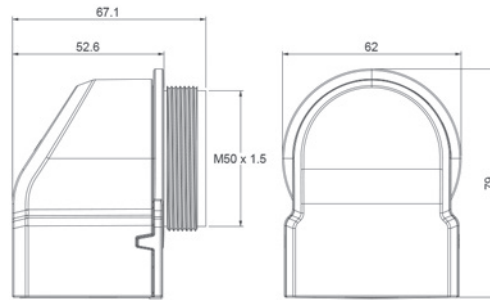


Possible configurations for
1917.PRED.5090

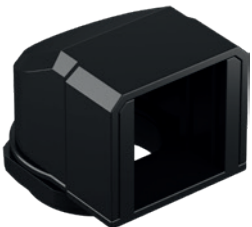


Product image

Dimensioned drawing 1917.PRED.5090



Material:	PA66+GF
Properties:	Halogen-free, silicone-free
Flammability:	Self-extinguishing in accordance with UL 94 V-0
Operating temperature:	-40 °C / +155 °C



A	B	C	G	>□<	Art.-No.	
mm	mm	mm		mm		
62	79	67.1	M50	50.5	1917.PRED.5090	10

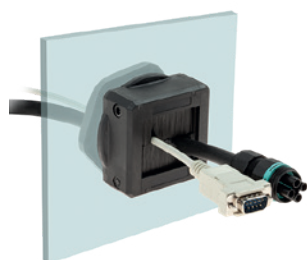
Splittable cable glands with a brush-type seal: 1917.CLICK.Z series

The 1917.CLICK.Z series is a splittable cable gland with a brush-type seal to protect against dust and contaminants.

- Click-closure (without screws)
- Colour: Black
- Metric thread sizes M32 and M50
- Cost-effective solution

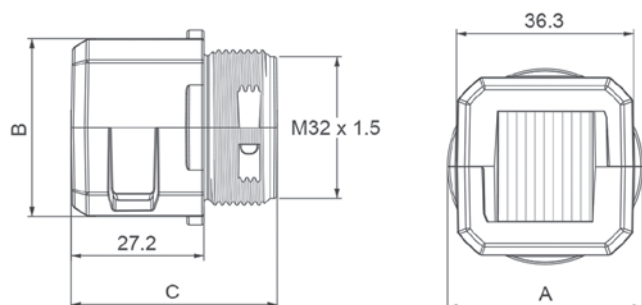


Further information

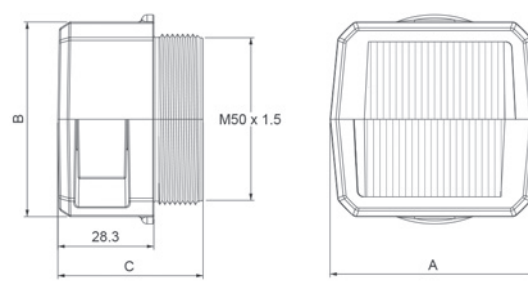


Product image

Dimensioned drawing 1917.CLICK.Z.32



Dimensioned drawing 1917.CLICK.Z.50



Material: PC
 Properties: Halogen-free, silicone-free
 Flammability: Self-extinguishing in accordance with UL 94 V-0
 Operating temperature: -25 °C / +80 °C

G	>□< mm	Art.-No.	
M32	32.5	1917.CLICK.Z.32	10
M50	50.5	1917.CLICK.Z.50	10





Splittable cable glands with a double brush-type seal: 1917.PRED.ZZ series

The 1917.PRED.ZZ-series cable gland consists of a square frame with two brush-type seals. The double brush-type seal provides excellent protection against dust and dirt.

- Frame with double brush-type seal for cables with or without connectors
- Frame screws made of AISI304 stainless steel
- Metric thread sizes M32 and M63
- Double brush-type seal provides increased dust protection
- Locknut and seal included
- Colour: Black

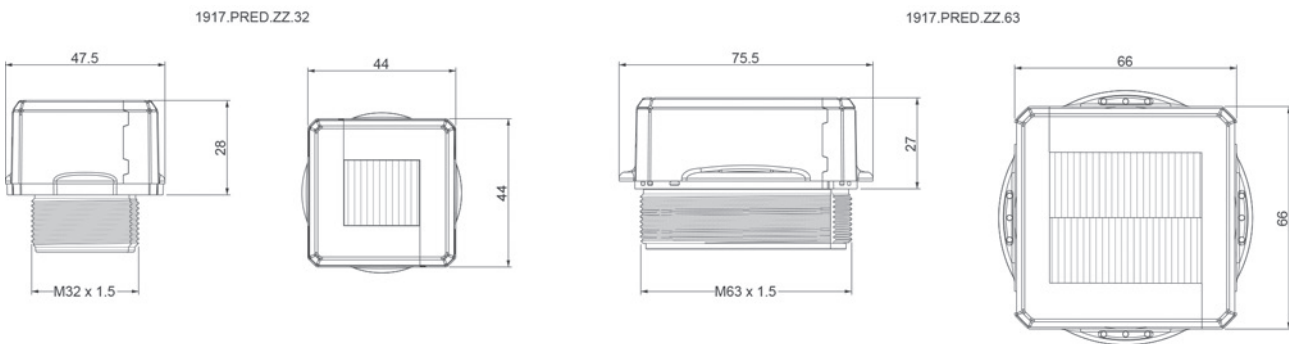


Further information




Product image

Dimensioned drawing 1917.PRED.ZZ.xx



Material: PP + GF
 Properties: Halogen-free, silicone-free
 Flammability: Self-extinguishing in accordance with UL 94 V-0
 Operating temperature: -25 °C / +80 °C



G	>□< mm	Art.-No.	
M32	32.5	1917.PRED.ZZ.32	10
M63	63.5	1917.PRED.ZZ.63	10

Splittable cable glands: 1925.OSF series

1925.OSF is a splittable cable gland with a metric thread, specially designed for cables with connectors. Its compact size and simple design are just some of the many advantages it offers. It can be fitted with 1929.SPC-type grommets with single or multiple holes.

- Metric thread sizes M16, M20, M25 and M32
- Click-closure (without screws)
- Colour: Grey
- Locknut and seal included



Accessories

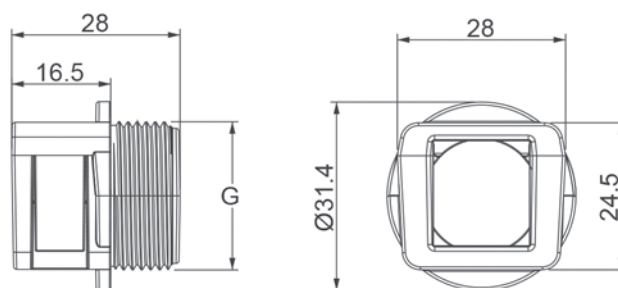
Grommets: 1929.SPC series | Inserts: 1950.ISP | Splittable locknuts: 1950.DDMx

Further information



Product images

Dimensioned drawing 1925.OSF



Maximum grommet sizes

1925.OSF.16	1929.SPC.10	1929.SPC.2X4	1929.SPC.4X4	
1925.OSF.20	1929.SPC.14	1929.SPC.2X5	1929.SPC.4X5	
1925.OSF.25	1929.SPC.14	1929.SPC.2X7	1929.SPC.4X6	
1925.OSF.32	1929.SPC.14	1929.SPC.2X7	1929.SPC.4X6	

Material:	PC
Properties:	Halogen-free, silicone-free
Flammability:	Self-extinguishing in accordance with UL 94 V-0
Operating temperature:	-40 °C / +130 °C

A	B	C	G	>□<	Art.-No.	
mm	mm	mm		mm		
28	24.5	28	M16	16.5	1925.OSF.16.G	10
28	24.5	28	M20	20.5	1925.OSF.20.G	10
28	24.5	28	M25	25.5	1925.OSF.25.G	10
28	24.5	28	M32	32.5	1925.OSF.32.G	10



1
2
3
4
5
6
7
8
9
10
11



Splittable cable glands: 1925.OSF.40 series

1925.OSF.40 is a splittable cable gland with metric threads, specially designed for cables with connectors. It can accommodate up to eight cables with connectors and may be equipped with single- or multi-hole 1929.SPC-type grommets.

- Metric thread size M40
- Click-closure (without screws)
- Colour: Grey
- Locknut and seal included



Accessories

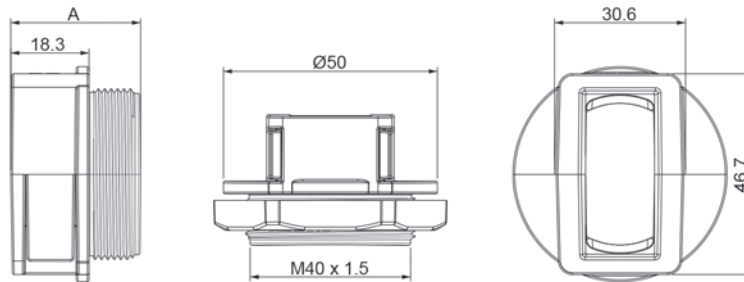
Grommets: 1929.SPC series | Inserts: 1950.ISP | Splittable locknuts: 1950.DDMx

Further information

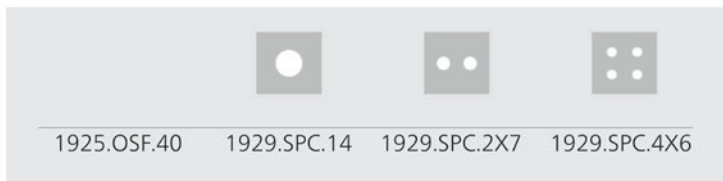


Possible configurations for 1925.OSF.40

Dimensioned drawing 1925.OSF.40




Maximum grommet sizes



Material:	PC
Properties:	Halogen-free, silicone-free
Flammability:	Self-extinguishing in accordance with UL 94 V-0
Operating temperature:	-40 °C / +130 °C

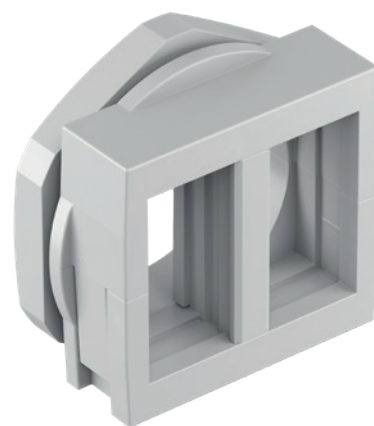


A mm	B mm	C mm	G	>□< mm	Art.-No.	
30.3	46.7	30.6	M40	40.5	1925.OSF.40.G	10

Splittable cable glands: 1925.OSF.50/63 series

The 1925.OSF.50/63 series is a splittable cable gland with a metric thread, specially designed for cables with connectors. It can accommodate up to 16 cables with connectors. It can be fitted with 1929.SPC-type grommets with single or multiple holes from 2 to 14 mm in diameter, or with 1929.SPL-type grommets from 12 to 29 mm in diameter, within the same frame. The grommets comply with UL 94 V-0.

- Metric thread sizes M50 and M63
- Click-closure (without screws)
- Colour: Grey
- Locknut and seal included
- Suitable for small or large grommets



Accessories

Grommets: 1929.SPC series | Grommets: 1929.SPL series | Inserts: 1950.ISP | Splittable locknuts: 1950.DDMx

Further information



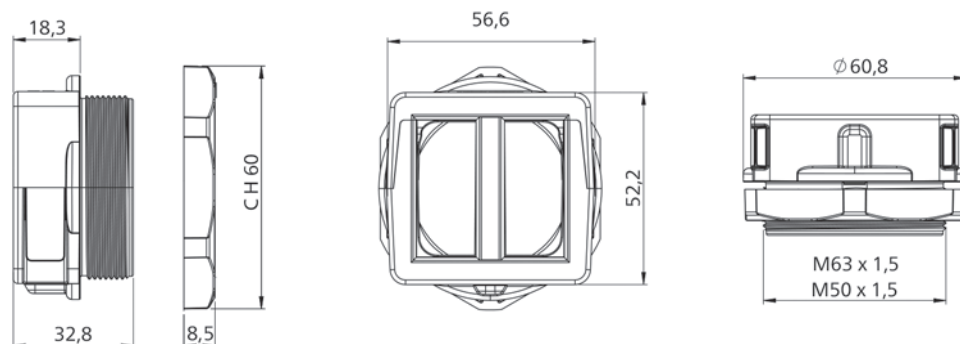
Possible configurations for 1925.OSF.50 | 1925.OSF.63

Product images

Maximum grommet sizes

1925.OSF.50	1929.SPC.14	1929.SPC.2X6	1929.SPC.4X6	1929.SPL.29
1925.OSF.63	1929.SPC.14	1929.SPC.2X6	1929.SPC.4X6	1929.SPL.29


Dimensioned drawing 1925.OSF.50/63



Splittable cable glands: 1925.OSF.50/63 series

Material: PC
Properties: Halogen-free, silicone-free
Flammability: Self-extinguishing in accordance with UL 94 V-0
Operating temperature: -40 °C / +130 °C



A mm	B mm	C mm	G	>□< mm	Art.-No.	
32.8	52.5	56.6	M50	50.5	1925.OSF.50.G	10
28.0	24.5	28	M63	63.5	1925.OSF.63.G	10

Splittable cable glands: 1925.OSF.90 series with 90° angle

The 1925.OSF.90 series is a 90°-angled splittable cable gland with metric threads, specially designed for the installation of cables with connectors. The angled design facilitates compact cable routing. It can be equipped with 1929.SPC-type single-hole or multi-hole grommets with a UL 94 V-0 flammability rating.

- With 90° angle for cable exit
- Click-closure (without screws)
- Metric thread sizes M16, M20, M25 and M32
- Colour: Grey
- Locknut and seal included



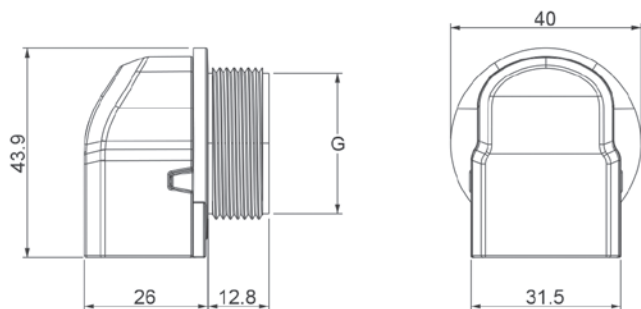
Accessories

Grommets: 1929.SPC series | Inserts: 1950.ISP | Splittable locknuts: 1950.DDMx

Maximum grommet sizes

1925.OSF.90.16	1929.SPC.10	1929.SPC.2X4	1929.SPC.4X4
1925.OSF.90.20	1929.SPC.10	1929.SPC.2X5	1929.SPC.4X5
1925.OSF.90.25	1929.SPC.10	1929.SPC.2X7	1929.SPC.4X6
1925.OSF.90.32	1929.SPC.10	1929.SPC.2X7	1929.SPC.4X6

Dimensioned drawing 1925.OSF.90



Material:	PC
Properties:	Halogen-free, silicone-free
Flammability:	Self-extinguishing in accordance with UL 94 V-0
Operating temperature:	-40 °C / +130 °C

A mm	B mm	C mm	G mm	>□< mm	Art.-No.	
43.9	31.5	38.8	M16	16.5	1925.OSF.90.16.G	10
43.9	31.5	38.8	M20	20.5	1925.OSF.90.20.G	10
43.9	31.5	38.8	M25	25.5	1925.OSF.90.25.G	10
43.9	31.5	38.8	M32	32.5	1925.OSF.90.32.G	10



1
2
3
4
5
6
7
8
9
10
11
12



Splittable cable glands: 1925.OSF.ZIP series with push-in connection

The 1925.OSF.ZIP series is a splittable cable gland for metric holes, specially designed for cables with connectors. Installation is from the front only, no locknut is required. It can be fitted with 1929.SPC-type grommets with one, two or four holes of diameter 2 to 14 mm.

- Click-closure (without screws)
- Push-in connection
- For mounting on panels of thickness 1.2 to 2.0 mm
- Including separate seal
- Colour: Grey



Accessories




Grommets: 1929.SPC | Inserts: 1950.ISP

Further information

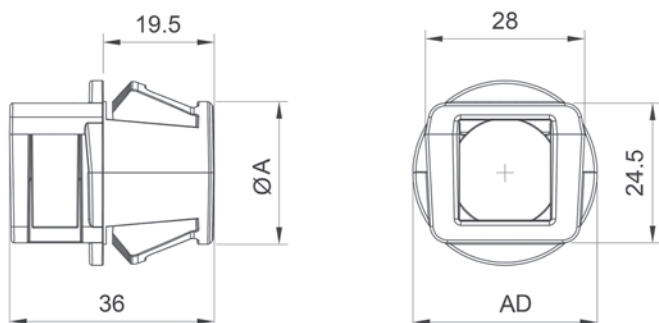


Product images


Maximum grommet sizes

			
1925.OSF.ZIP.16	1929.SPC.10	1929.SPC.2X4	1929.SPC.4X4
1925.OSF.ZIP.20	1929.SPC.14	1929.SPC.2X5	1929.SPC.4X5
1925.OSF.ZIP.25	1929.SPC.14	1929.SPC.2X7	1929.SPC.4X6
1925.OSF.ZIP.32	1929.SPC.14	1929.SPC.2X7	1929.SPC.4X6

Dimensioned drawing 1925.OSF.ZIP



Material: PC
 Properties: Halogen-free, silicone-free
 Flammability: Self-extinguishing in accordance with UL 94 V-0
 Operating temperature: -40 °C / +130 °C

$\varnothing A$ mm	AD mm	$> \square <$ mm	Art.-No.	
16.0	31.4	16.5	1925.OSF.ZIP.16.G	10
20.0	31.4	20.5	1925.OSF.ZIP.20.G	10
25.0	32.4	25.5	1925.OSF.ZIP.25.G	10
32.0	40.6	32.5	1925.OSF.ZIP.32.G	10



1

2

3

4

5

6

7

8

9

10

11

Membrane plates: 1940.PDM series, size 24



The 1940.PDM.24 series is an innovative solution for cable entries into control cabinets and machines. The cable is pushed through the front membrane, and a second membrane increases strain relief and improves sealing performance.

- For a large number of cables without connectors
- Good strain relief thanks to the double membrane
- Cost-effective solution
- Colour: Grey
- Versions with threaded inserts or plastic rivets available on request



Accessories

Protection caps: 1950.CAPS.2 | Inserts: 1950.IFP

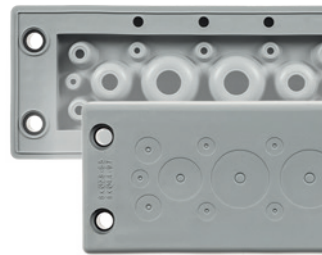
Further information



Application example



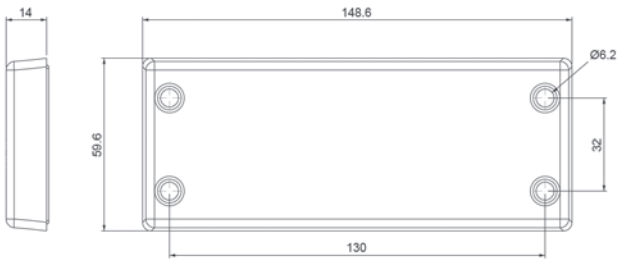
Product images




1940.PDM.24 versions

<p>1940.PDM24/14.G</p> <p>>Ø<</p> <table border="1"> <tr><td>10x</td><td>2.8 - 6.5</td></tr> <tr><td>4x</td><td>14.5 - 22.0</td></tr> </table>	10x	2.8 - 6.5	4x	14.5 - 22.0	<p>1940.PDM24/15.G</p> <p>>Ø<</p> <table border="1"> <tr><td>15x</td><td>6.8 - 12.0</td></tr> </table>	15x	6.8 - 12.0	<p>1940.PDM24/16.G</p> <p>>Ø<</p> <table border="1"> <tr><td>8x</td><td>2.8 - 6.5</td></tr> <tr><td>4x</td><td>4.4 - 9.7</td></tr> <tr><td>2x</td><td>8.6 - 16.2</td></tr> <tr><td>2x</td><td>14.5 - 22.0</td></tr> </table>	8x	2.8 - 6.5	4x	4.4 - 9.7	2x	8.6 - 16.2	2x	14.5 - 22.0	<p>1940.PDM24/17.G</p> <p>>Ø<</p> <table border="1"> <tr><td>6x</td><td>2.8 - 6.5</td></tr> <tr><td>6x</td><td>4.6 - 10.2</td></tr> <tr><td>5x</td><td>8.6 - 16.2</td></tr> </table>	6x	2.8 - 6.5	6x	4.6 - 10.2	5x	8.6 - 16.2
10x	2.8 - 6.5																						
4x	14.5 - 22.0																						
15x	6.8 - 12.0																						
8x	2.8 - 6.5																						
4x	4.4 - 9.7																						
2x	8.6 - 16.2																						
2x	14.5 - 22.0																						
6x	2.8 - 6.5																						
6x	4.6 - 10.2																						
5x	8.6 - 16.2																						
<p>1940.PDM24/25.G</p> <p>>Ø<</p> <table border="1"> <tr><td>12x</td><td>2.8 - 6.5</td></tr> <tr><td>7x</td><td>4.4 - 9.7</td></tr> <tr><td>2x</td><td>6.8 - 12.0</td></tr> </table>	12x	2.8 - 6.5	7x	4.4 - 9.7	2x	6.8 - 12.0	<p>1940.PDM24/32.G</p> <p>>Ø<</p> <table border="1"> <tr><td>21x</td><td>2.8 - 6.5</td></tr> <tr><td>8x</td><td>4.6 - 10.2</td></tr> <tr><td>3x</td><td>6.8 - 12.0</td></tr> </table>	21x	2.8 - 6.5	8x	4.6 - 10.2	3x	6.8 - 12.0	<p>1940.PDM24/42.G</p> <p>>Ø<</p> <table border="1"> <tr><td>42x</td><td>2.8 - 6.5</td></tr> </table>	42x	2.8 - 6.5							
12x	2.8 - 6.5																						
7x	4.4 - 9.7																						
2x	6.8 - 12.0																						
21x	2.8 - 6.5																						
8x	4.6 - 10.2																						
3x	6.8 - 12.0																						
42x	2.8 - 6.5																						

Dimensioned drawing 1940.PDM.24



Material: TPE
 Properties: Halogen-free, silicone-free
 Flammability: Self-extinguishing in accordance with UL 94 V-0
 Operating temperature: -40 °C / +110 °C

	A	B	C	X	Y	>□<	Art.-No.	
	mm	mm	mm	mm	mm	mm		
14x	148.6	59.6	14	130	32	112x36	1940.PDM.24/14.G	10
15x	148.6	59.6	14	130	32	112x36	1940.PDM.24/15.G	10
16x	148.6	59.6	14	130	32	112x36	1940.PDM.24/16.G	10
17x	148.6	59.6	14	130	32	112x36	1940.PDM.24/17.G	10
25x	148.6	59.6	14	130	32	112x36	1940.PDM.24/25.G	10
32x	148.6	59.6	14	130	32	112x36	1940.PDM.24/32.G	10
42x	148.6	59.6	14	130	32	112x36	1940.PDM.24/42.G	10





Membrane feedthroughs: 1940.PDM.M series

Membrane feedthroughs of the 1940.PDM.M series are used to save space and time. They utilise the metric holes on cabinets or machines, and the locknut ensures good strain relief and excellent protection against water and dust. The cable is pushed through the front membrane, and the second membrane increases strain relief and enhances sealing performance.

- For a large number of cables without connectors
- Good strain relief thanks to the double membrane
- Cost-effective solution
- Colour: Grey
- Recommended tightening torque: 8 Nm



Accessories

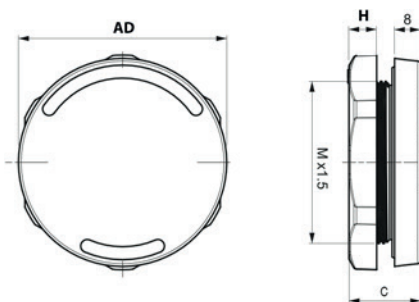
Inserts: 1950.IFP

Further information
















Product images

Dimensioned drawing 1940.PDM.M



1940.PDM.M versions

<p>1940.PDM.M32/4-2.G</p>  <p>>Ø<</p> <p>4x 3.5 - 8.8</p>	<p>1940.PDM.M32/4.G</p>  <p>>Ø<</p> <p>3x 2.6 - 6.5 1x 5.5 - 12.5</p>	<p>1940.PDM.M32/7.G</p>  <p>>Ø<</p> <p>7x 2.6 - 6.5</p>	<p>1940.PDM.M40/8.G</p>  <p>>Ø<</p> <p>4x 2.6 - 6.5 4x 4.0 - 10.2</p>	<p>1940.PDM.M50/10.G</p>  <p>>Ø<</p> <p>7x 2.8 - 6.5 2x 4.6 - 10.2 1x 14.5 - 22.0</p>
<p>1940.PDM.M50/12.G</p>  <p>>Ø<</p> <p>4x 2.8 - 6.5 8x 4.6 - 10.2</p>	<p>1940.PDM.M50/19.G</p>  <p>>Ø<</p> <p>19x 2.8 - 6.5</p>	<p>1940.PDM.M50/8.G</p>  <p>>Ø<</p> <p>5x 4.6 - 10.2 3x 6.8 - 12.5</p>	<p>1940.PDM.M63/13.G</p>  <p>>Ø<</p> <p>4x 2.8 - 6.5 4x 4.6 - 10.2 5x 9.5 - 16.2</p>	<p>1940.PDM.M63/14.G</p>  <p>>Ø<</p> <p>14x 5.0 - 10.0</p>
<p>1940.PDM.M63/35.G</p>  <p>>Ø<</p> <p>35x 2.6 - 5.5</p>	<p>1940.PDM.M63/6.G</p>  <p>>Ø<</p> <p>3x 4.6 - 10.2 3x 10.9 - 20.0</p>	<p>1940.PDM.M63/9.G</p>  <p>>Ø<</p> <p>1x 2.8 - 6.0 3x 4.6 - 10.2 4x 8.6 - 16.2 1x 10.9 - 20.0</p>		

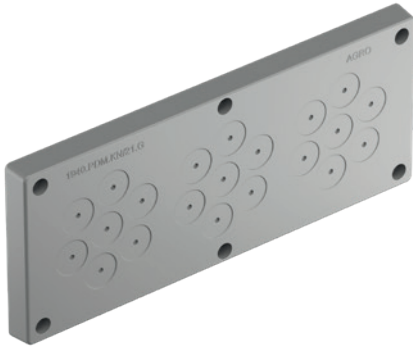
Round membrane feedthroughs with inner frame and double membrane

Material:	TPE
Properties:	Halogen-free, silicone-free
Flammability:	Self-extinguishing in accordance with UL 94 V-0
Operating temperature:	-40 °C / +110 °C

G	AD	C	H	Art.-No.	
mm	mm	mm	mm		
M32	46	22	7	1940.PDM.M32/4-2.G	10
M32	46	22	7	1940.PDM.M32/4.G	10
M32	46	22	7	1940.PDM.M32/7.G	10
M40	54	22	7	1940.PDM.M40/8.G	10
M50	64	22	8.5	1940.PDM.M50/10.G	10
M50	64	22	8.5	1940.PDM.M50/12.G	10
M50	64	22	8.5	1940.PDM.M50/19.G	10
M50	64	22	8.5	1940.PDM.M50/8.G	10
M63	77	22	8.5	1940.PDM.M63/13.G	10
M63	77	22	8.5	1940.PDM.M63/14.G	10
M63	77	22	8.5	1940.PDM.M63/35.G	10
M63	77	22	8.5	1940.PDM.M63/6.G	10
M63	77	22	8.5	1940.PDM.M63/9.G	10



Membrane plates: 1940.PDM.KN series



1940.PDM.KN is a series of multi-cable entry plates that may be installed in the side or the bottom of a cabinet. The mounting hole layouts and dimensions are compatible with the cabinets of leading manufacturers. The cable is pushed through the initially closed front membrane, and the second membrane increases strain relief and improves sealing performance.

- For up to 72 cables without connectors
- Good strain relief thanks to the double membrane
- Integrated strengthening frame
- Cost-effective solution
- Colour: Grey



Accessories

Protection caps: 1950.CAPS.2 | Inserts: 1950.IFP

Further information

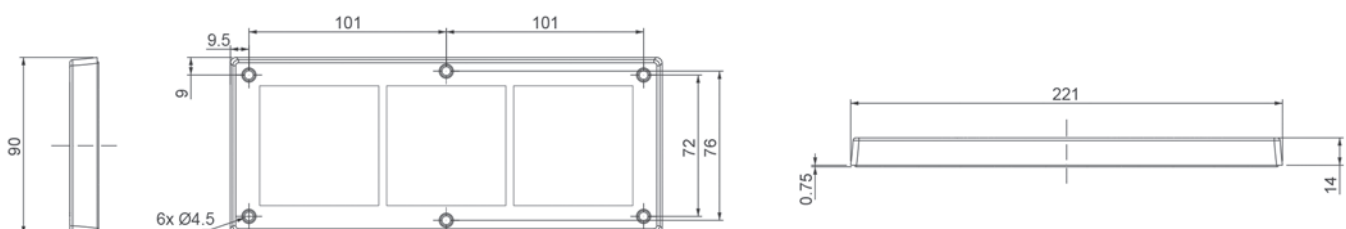


Product image

1940.PDM.KN versions


1940.PDM.KN/19.G	1940.PDM.KN/21.G	1940.PDM.KN/72.G
$>\varnothing<$	$>\varnothing<$	$>\varnothing<$
4x 3.0 - 6.0	21x 9.5 - 17.0	42x 2.8 - 6.5
3x 5.0 - 10.0		21x 4.6 - 10.2
1x 9.0 - 15.0		6x 8.6 - 16.2
6x 14.0 - 22.0		3x 14.5 - 22.0
3x 19.0 - 27.0		
2x 22.0 - 30.0		

Dimensioned drawing 1940.PDM.KN



Cable feedthrough plates with large frame and double membrane

Material: TPE
 Properties: Halogen-free, silicone-free
 Flammability: Self-extinguishing in accordance with UL 94 V-0
 Operating temperature: -40 °C / +110 °C

A	B	C	X	Y	>□<	Art.-No.	
mm	mm	mm	mm	mm	mm		
221	90	14	2x101	76/72	192x62	1940.PDM.KN/19.G	1
221	90	14	2x101	76/72	192x62	1940.PDM.KN/21.G	1
221	90	14	2x101	76/72	192x62	1940.PDM.KN/72.G	1



1

2

3

4

5

6

7

8

9

10

11

Membrane plates: 1940.PM.24 series



1940.PM.24-series membrane plates are innovative solutions for cable entries into control cabinets and machines. The cable is pushed through the front membrane, and the second membrane increases strain relief and enhances sealing performance.

- For a large number of cables without connectors
- Good strain relief thanks to the double membrane
- Cost-effective solution
- Colour: Grey



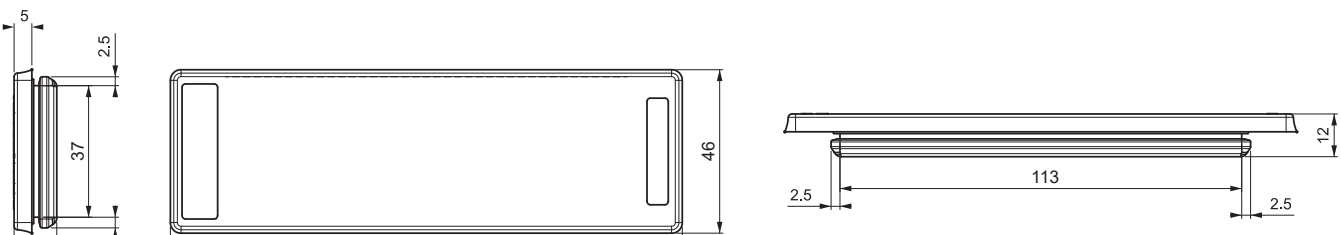
Accessories

Inserts: 1950.IFP

1940.PM.24 versions

1940.PM24/17.G	1940.PM24/18.G	1940.PM24/26.G	1940.PM24/50.G
$>\varnothing<$	$>\varnothing<$	$>\varnothing<$	$>\varnothing<$
5x 10.5	4x 6.5	16x 6.5	33x 5.3
12x 12.6	5x 10.5	4x 12.1	9x 6.4
	5x 12.6	4x 16.1	8x 8.3
	4x 16.1	2x ASI	

Dimensioned drawing 1940.PM.24



Cable feedthrough plates with double membrane

Material:	TPE
Properties:	Halogen-free, silicone-free
Flammability:	Self-extinguishing in accordance with UL 94 V-0
Wall thickness:	1.5 - 2.5 mm
Operating temperature:	-40 °C / +110 °C

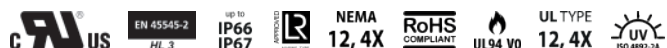


A	B	C	$>\square<$	Art.-No.	
mm	mm	mm	mm		
144	46	12	112x36 (max. +0.5)	1940.PM.24/17.G	10
144	46	12	112x36 (max. +0.5)	1940.PM.24/18.G	10
144	46	12	112x36 (max. +0.5)	1940.PM.24/26.G	10
144	46	12	112x36 (max. +0.5)	1940.PM.24/50.G	10

Membrane grommets: 1940.PMU series

The round, metric 1940.PMU is an innovative solution for feedthroughs of individual cables. The cable is pushed through the front membrane, and the second membrane increases strain relief and enhances sealing performance.

- Metric sizes
- Quick and easy installation
- Saves installation costs
- Colour: Grey
- Slim design



Accessories

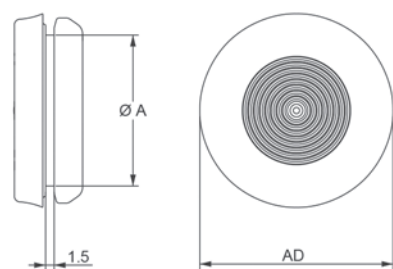
Inserts: 1950.IFP

Further information



Product images

Dimensioned drawing 1940.PMU

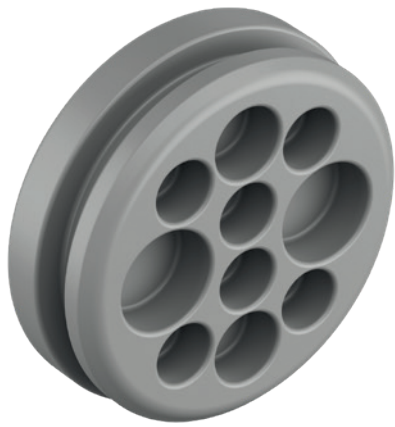


Round double-membrane grommets for single cables

Material:	TPE
Properties:	Halogen-free, silicone-free
Flammability:	Self-extinguishing in accordance with UL 94 V-0
Wall thickness:	1.5 - 2.5 mm
Operating temperature:	-40 °C / +110 °C

>□< mm	AD mm	ØA mm	Art.-No.	
16.5	25.0	max. 10.0	1940.PMU.16.G	10
20.5	29.0	max. 13.0	1940.PMU.20.G	10
25.5	34.0	max. 15.0	1940.PMU.25.G	10
32.5	40.0	max. 22.0	1940.PMU.32.G	10





Membrane grommets: 1940.PM.M series

The round, metric 1940.PM.M series is an innovative solution for routing multiple cables. The cables are inserted through the front membrane, and the second membrane increases strain relief and enhances sealing performance.

- For a large number of cables without connectors
- High strain relief thanks to the double membrane
- Cost-effective solution
- Colour: Grey
- Metric sizes



Accessories

Inserts: 1950.IFP

Further information



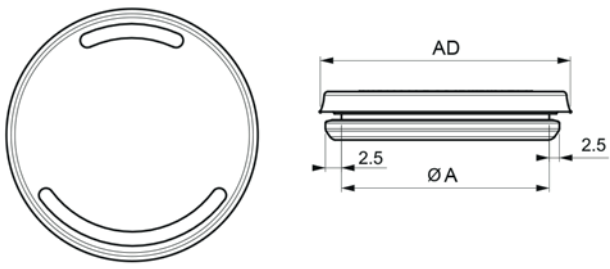
Product images

Type 1 (1.5 - 2.5 mm) / Type 2 (2.8 - 4.0 mm)

1940.PM.M versions


1940.PM.M25/4.GT1	1940.PM.M25/6.GT1	1940.PM.M32/10.GT1	1940.PM.M50/9.GT1
$\frac{>\varnothing<}{4x \quad 8.0}$	$\frac{>\varnothing<}{4x \quad 5.2}$ $\frac{>\varnothing<}{2x \quad 9.4}$	$\frac{>\varnothing<}{6x \quad 5.2}$ $\frac{>\varnothing<}{2x \quad 6.4}$ $\frac{>\varnothing<}{2x \quad 9.4}$	$\frac{>\varnothing<}{5x \quad 7.0}$ $\frac{>\varnothing<}{4x \quad 18.3}$
1940.PM.M50/15.GT1	1940.PM.M50/17.GT1		
$\frac{>\varnothing<}{2x \quad 6.0}$ $\frac{>\varnothing<}{4x \quad 7.2}$ $\frac{>\varnothing<}{4x \quad 9.7}$ $\frac{>\varnothing<}{5x \quad 12.0}$	$\frac{>\varnothing<}{5x \quad 5.5}$ $\frac{>\varnothing<}{5x \quad 6.5}$ $\frac{>\varnothing<}{3x \quad 9.7}$ $\frac{>\varnothing<}{4x \quad 11.4}$		

Dimensioned drawing 1940.PM.M



Round double-membrane grommets for multiple cables

Material:	TPE
Properties:	Halogen-free, silicone-free
Flammability:	Self-extinguishing in accordance with UL 94 V-0
Wall thickness:	1.5-2.5 mm
Operating temperature:	-40 °C / +110 °C

AD mm	ØA mm	Art.-No.	
34	25.5 +/- 0.5	1940.PM.M25/4.GT1	10
34	25.5 +/- 0.5	1940.PM.M25/6.GT1	10
40	32.5 +/- 0.5	1940.PM.M32/10.GT1	10
62	50.5 +/- 0.5	1940.PM.M50/9.GT1	10
62	50.5 +/- 0.5	1940.PM.M50/15.GT1	10
62	50.5 +/- 0.5	1940.PM.M50/17.GT1	10





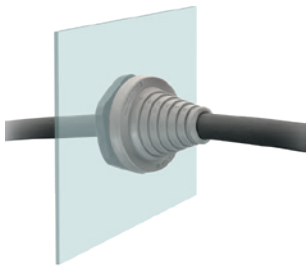
Pyramid-shaped cable feedthroughs with round base and locknut: 1940.PDP series

The pyramid-shaped cable feedthroughs of the 1940.PDP series are available in sizes M25, M32, M40, M50, M63 and M75. They allow the passage of unassembled cables of diameter 2.5 to 64 mm through the walls of control cabinets etc. The reinforcing base plate increases stability when used for large cables.

- For a wide range of diameters
- Reinforcing base plate
- Cost-effective solution
- Colour: Grey
- UL 94 V-0



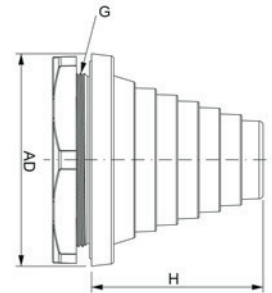
Further information



Product images



Dimensioned drawing 1940.PDP



Material: TPE
 Properties: Halogen-free, silicone-free
 Flammability: Self-extinguishing in accordance with UL 94 V-0
 Operating temperature: -40 °C / +110 °C

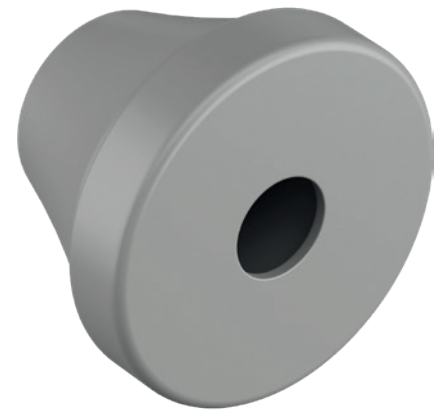


	G	>□< mm	AD mm	H mm	∅ min mm	∅ max mm	Art.-No.	
M32		32.5	46	55.2	5	23	1940.PDP.32.G	10
M40		40.5	54	62	8	29	1940.PDP.40.G	10
M50		50.5	64	50	17	42	1940.PDP.50.G	10
M63		63.5	77	62	23	55	1940.PDP.63.G	10
M75		75.5	89	64	38	64	1940.PDP.75.G	10

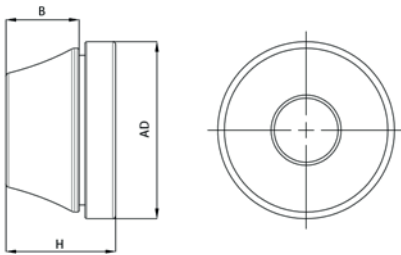
Round membrane grommets for single cables: 1940.RCS series

Grommets of the 1940.RCS series enable single cables without connectors to be routed through walls up to 4 mm thick. Simply pierce the outer membrane slightly and push the cable through the grommet. These grommets are available for cable diameters from 4 to 34 mm.

- Metric sizes
- Quick installation
- Cost-effective solution
- Colour: Grey

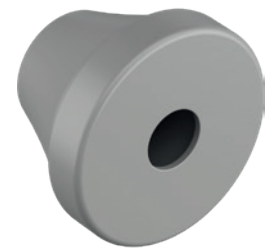


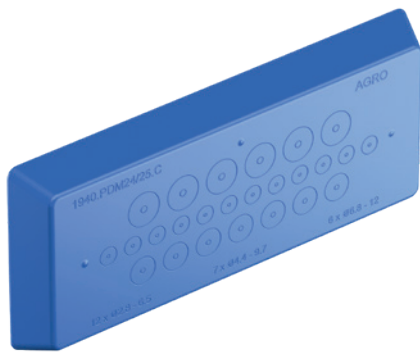
Dimensioned drawing 1940.RCS



Material: EPDM
 Properties: Halogen-free, silicone-free
 Flammability: Self-extinguishing in accordance with UL 94 V-0
 Wall thickness: 0.5-4.0 mm
 Operating temperature: -40 °C / +110 °C

B mm	>□< mm	AD mm	H mm	± mm	Art.-No.	
10.5	12.5	20.0	17.3	0.5-2.0	1940.RCS.M12.G	100
11.5	16.5	21.0	19.0	0.5-2.0	1940.RCS.M16.G	100
12.7	20.5	25.5	20.5	0.5-2.0	1940.RCS.M20.G	100
15.5	25.5	31.0	22.6	0.5-2.0	1940.RCS.M25.G	100
17.5	32.5	39.0	25.5	1.0-4.0	1940.RCS.M32.G	100
20.4	40.5	48.0	30.0	1.0-4.0	1940.RCS.M40.G	100
23.9	50.5	58.6	36.0	1.0-4.0	1940.RCS.M50.G	100





Membrane plates for hygienic applications: 1940.PDM.24.C series

The 1940.PDM.24.C CLEAN series is primarily used in the food and pharmaceutical industries, as its round-edged design prevents the accumulation of dirt and facilitates frequent cleaning. The cable feedthrough plate can be attached to a cabinet wall from the inside, using four concealed screws. The hole positions are laser-printed, ensuring a clean front surface when in service. The front membrane is lightly pierced using a small screwdriver, and the second, parallel membrane serves as reinforcement, ensuring very high strain relief and excellent sealing performance.

- For a large number of cables without connectors
- With integrated reinforcement frame
- Smooth surface with rounded edges
- Color: Blue
- UL 94 HB
- Mounting options: Click-on or screwed



Further information

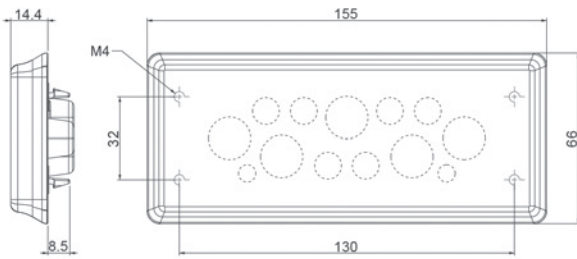


Product image

1940.PDM.24.C versions

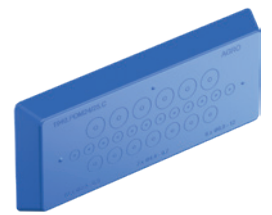
1940.PDM24/13.C	1940.PDM24/25.C	1940.PDM24/32.C
$>\varnothing<$	$>\varnothing<$	$>\varnothing<$
2x 2.8 - 6.5	12x 2.8 - 6.5	21x 2.8 - 6.5
6x 4.6 - 10.2	7x 4.4 - 9.7	8x 4.6 - 10.2
5x 8.6 - 16.2	6x 6.8 - 12.0	3x 6.8 - 12.0

Dimensioned drawing 1940.PDM.24.C



Material: TPE
 Properties: Halogen-free, silicone-free
 Flammability: Self-extinguishing in accordance with UL 94 HB
 Operating temperature: -40 °C / +80 °C

A	B	C	X	Y	>□<	Art.-No.	
mm	mm	mm	mm	mm	mm		
155	66	14.4	130	32	112x36	1940.PDM24/13.C	1
155	66	14.4	130	32	112x36	1940.PDM24/25.C	1
155	66	14.4	130	32	112x36	1940.PDM24/32.C	1





Membrane feedthroughs for hygienic applications: 1940.PDM.M.C series

The 1940.PDM.M.C CLEAN series is primarily used in the food and pharmaceutical industries, as its round-edged design prevents dirt from accumulating and facilitates frequent cleaning. The front membrane is lightly pierced using a small screwdriver, and the second, parallel membrane serves as reinforcement, ensuring very high strain relief and excellent sealing performance.

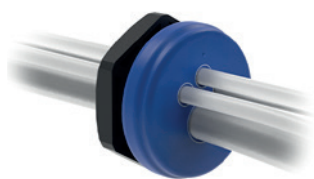
- For a large number of cables without connectors
- With integrated reinforcement frame
- Smooth surface with rounded edges
- UL 94 HB
- Colour: Blue
- Fixed in place by a locknut



Accessories




Inserts: 1950.IFP

Further information

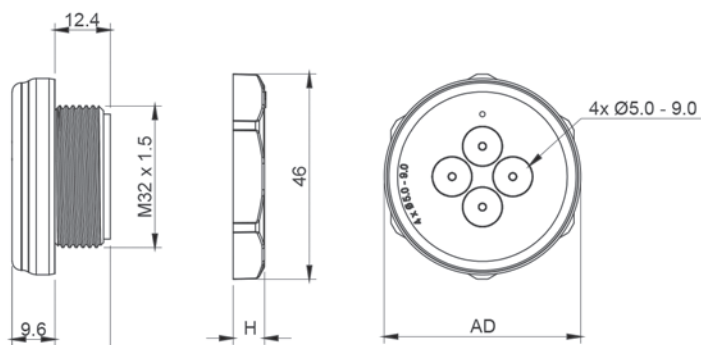


Product image

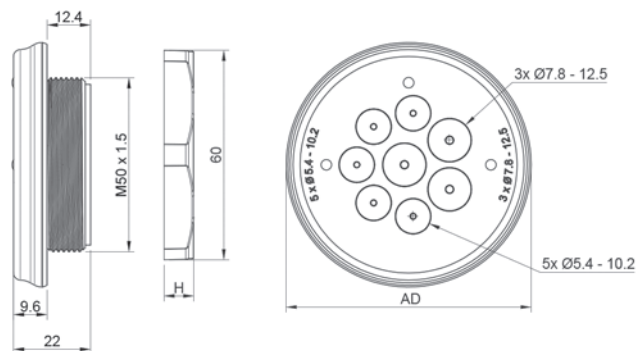
1940.PDM.M.C versions

1940.PDM.M32/4-2.C	1940.PDM.M32/4.C	1940.PDM.M50/8.C
		
>Ø<	>Ø<	>Ø<
4x 5.0 - 9.0	3x 3.6 - 6.5 1x 7.8 - 12.5	5x 4.6 - 10.2 3x 6.8 - 12.5


Dimensioned drawing 1940.PDM.M32



Dimensioned drawing 1940.PDM.M50



Material: TPE
 Properties: Halogen-free, silicone-free
 Flammability: Self-extinguishing in accordance with UL 94 HB
 Operating temperature: -40 °C / +80 °C

G	>□< mm	AD mm	H mm	Art.-No.	
M32	32.5	44	7	1940.PDM.M32/4-2.C	10
M32	32.5	44	7	1940.PDM.M32/4.C	10
M50	50.5	70	8.5	1940.PDM.M50/8.C	10





1950.ISP sealing plugs for grommets of the series 1919.SPP and 1929.SPC

1950.ISP-series sealing plugs are suitable for use in grommets of the series 1919.SPP and 1929.SPC. They have diameters from 2 to 16 mm.

- Plastic plugs for SPP-type and SPC-type cable grommets, with diameters from 2 to 16 mm
- Colour: White

IP66   


Further information



Product image

Material:	PA66
Properties:	Halogen-free, silicone-free
Flammability:	Self-extinguishing in accordance with UL 94 V-0
Operating temperature:	-40 °C / +155 °C

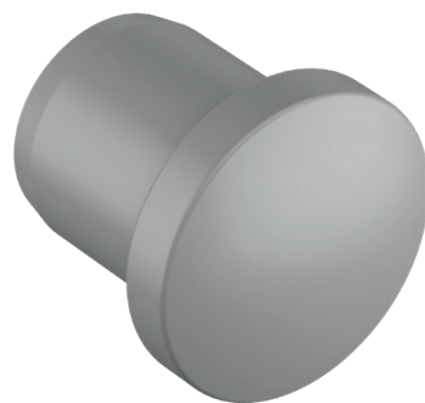


Ø mm	L mm	Art.-No.	
2.0	30.0	1950.ISP.2	20
3.0	30.0	1950.ISP.3	20
4.0	30.0	1950.ISP.4	20
5.0	30.0	1950.ISP.5	20
6.0	30.0	1950.ISP.6	20
7.0	30.0	1950.ISP.7	20
8.0	25.0	1950.ISP.8	20
9.0	25.0	1950.ISP.9	20
10.0	25.0	1950.ISP.10	20
11.0	25.0	1950.ISP.11	20
12.0	25.0	1950.ISP.12	20
13.0	25.0	1950.ISP.13	20
14.0	25.0	1950.ISP.14	20
15.0	25.0	1950.ISP.15	20
16.0	25.0	1950.ISP.16	20

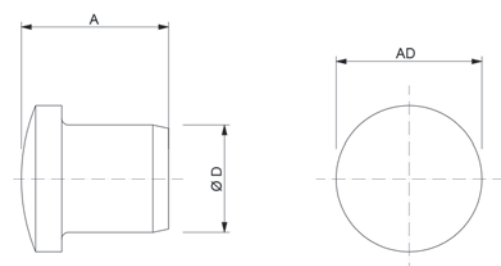
Sealing plugs for various grommets and membrane plates: 1950.IFP series

1950.IFP-series sealing plugs suit the holes of cable feedthrough plates of types 1940.PM and 1940.PDM, as well as the holes of grommet types 1919.SPP.K, 1919.SPP.M, 1919.SPG.K and 1919.SPG.M.

- Sealing plugs for holes of diameter 4.5 to 22.5 mm
- Colour: Grey

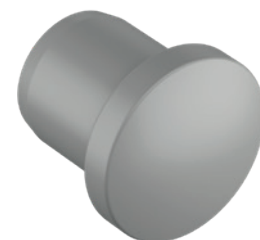


Dimensioned drawing 1950.IFP



Material: PA6
 Properties: Halogen-free, silicone-free
 Flammability: Self-extinguishing in accordance with UL 94 V-0
 Operating temperature: -30 °C / +100 °C

A mm	AD mm	ØD mm	Ø mm	Art.-No.	
12.5	10	5.5	4.5-8.0	1950.IFP.5.G	50
16.0	13.5	9.5	8.0-12.0	1950.IFP.9.G	50
16.5	16.5	12	12.0-16.0	1950.IFP.12.G	50
19.5	20.5	16	16.0-19.0	1950.IFP.16.G	50
21.5	24.5	20	20.0-22.5	1950.IFP.20.G	10





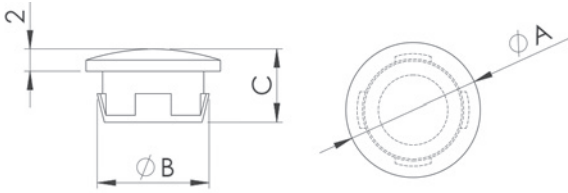
Dust protection caps: 1950.CAPS series

1950.CAPS-series protection caps keep the front of the device clean and prevent dirt from accumulating in screw recesses. Available for splittable frames (1950.CAPS.1) and membrane plates (1950.CAPS.2).

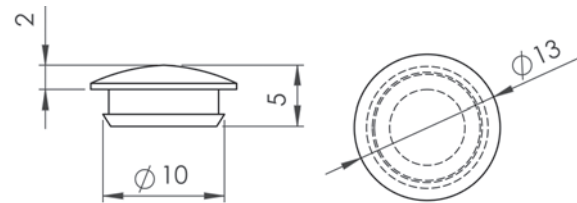
- Protection caps with convex surface
- Colour: Black



Dimensioned drawing 1950.CAPS.1



Dimensioned drawing 1950.CAPS.2



Protection caps for splittable frames

Material: HDPE



ØA mm	ØB mm	C mm	Art.-No.	
12.0	10.0	6.5	1950.CAPS.1	50

Protection caps for membrane plates (1940 series)

Material: HDPE



ØA mm	ØB mm	C mm	Art.-No.	
13.0	10.0	5.0	1950.CAPS.2	50

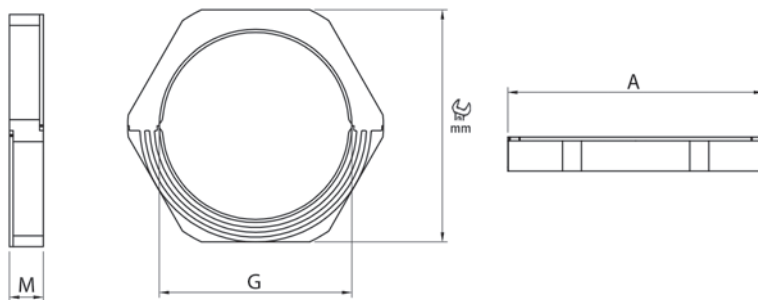
Splittable locknuts: 1950.DDMD series

1950.DDMD-series locknuts are used to accommodate the feedthrough of connectors that are too large to pass through conventional locknuts. They are available in six sizes, all with metric threads: M20, M25, M32, M40, M50 and M63.

- Splittable metric locknuts
- Colour: Black
- Recommended tightening torque: 7 Nm



Dimensioned drawing 1950.DDMD



Material: PA66
 Properties: Halogen-free, silicone-free
 Flammability: Self-extinguishing in accordance with UL 94 V-0
 Operating temperature: -40 °C / +120 °C

G	 mm	A	M	Art.-No.	
mm	mm	mm	mm		
M20x1.5	28	31.0	7.0	1950.DDMD.M20	1
M25x1.5	33	36.0	7.0	1950.DDMD.M25	1
M32x1.5	40	44.0	7.0	1950.DDMD.M32	1
M40x1.5	48	53.0	7.0	1950.DDMD.M40	1
M50x1.5	58	64.0	7.0	1950.DDMD.M50	1
M63x1.5	72	80.0	7.0	1950.DDMD.M63	1





Locknuts: 1950.DM32.SUBD9 series

The M32 SUB-D9 locknut facilitates the feedthrough of cables with SUB-D9, DVI or PROFIBUS connectors when using an M32 metric cable gland, thus simplifying cabling of machines. It is available upon request.

- Splittable metric locknuts, suitable for SUB-D9 connectors (DVI and Profibus)
- UL 94 V-0
- Recommended tightening torque: 8 Nm
- Colour: Black

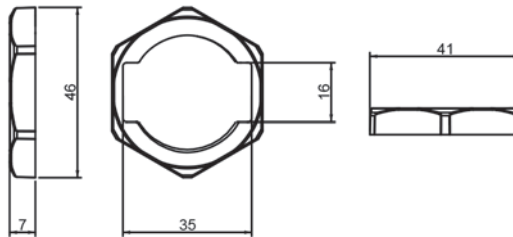


Further information



Product image

Dimensioned drawing 1950.DDM32.SUBD9



Material:	PA66
Properties:	Halogen-free, silicone-free
Flammability:	Self-extinguishing in accordance with UL 94 V-0
Operating temperature:	-40 °C / +120 °C



G	A	M	Art.-No.	
	mm	mm		
M32	46	41	1950.DDM32.SUBD9	10



Elektrozubehör
Cable management from E to Z

ELEKTROZUBEHÖR SPA

Tel.: +39 02 701471
info@elektrozubehor.it
www.elektrozubehor.it



ACCEDI AL
MONDO EZ

 **AGRO**
Member of KAISER GROUP